

PARTS LIST

TMFX III

Table of Contents

● TMFX III	GENERAL VIEW	
● TMFX III	FRAMING.....	<i>DX-1</i>
● TMFX III	TABLE	<i>DX-2</i>
● TMFX III	MAIN SHAFT DRIVE SYSTEM	<i>DX-3</i>
● TMFX III	ROTARY HOOK BASE 1	<i>DX-4-1</i>
● TMFX III	ROTARY HOOK BASE 2	<i>DX-4-2</i>
● TMFX III	CAM DRIVE SYSTEM SET	<i>DX-5</i>
● TMFX III	COLOR CHANGE SYSTEM.....	<i>DX-6</i>
● TMFX III	ARM 1	<i>DX-7-1</i>
● TMFX III	ARM 2	<i>DX-7-2</i>
● TMFX III	ARM 3.....	<i>DX-7-3</i>
● TMFX III	NEEDLE BAR CASE 1	<i>DX-8-1</i>
● TMFX III	NEEDLE BAR CASE 2	<i>DX-8-2</i>
● TMFX III	FRONT COVER	<i>DX-9</i>
● TMFX III	X-AXIS DRIVE SYSTEM 1.....	<i>DX-10-1</i>
● TMFX III	X-AXIS DRIVE SYSTEM 2	<i>DX-10-2</i>
● TMFX III	Y-AXIS DRIVE SYSTEM 1	<i>DX-11-1</i>
● TMFX III	Y-AXIS DRIVE SYSTEM 2	<i>DX-11-2</i>
● TMFX III	INDIVIDUAL TENSION BASE	<i>DX-12</i>
● TMFX III	THREAD STAND.....	<i>DX-13</i>
● TMFX III	UNDER THREAD WINDER	<i>DX-14</i>
● TMFX III	EMBROIDERY FRAME.....	<i>DX-15</i>
● TMFX III	BAR SWITCH BOX.....	<i>DX-16</i>
● TMFX III	ELECTRICAL PARTS	<i>DX-17</i>

Part Nos. of screws, nuts, washers etc. are listed at the end of volume.

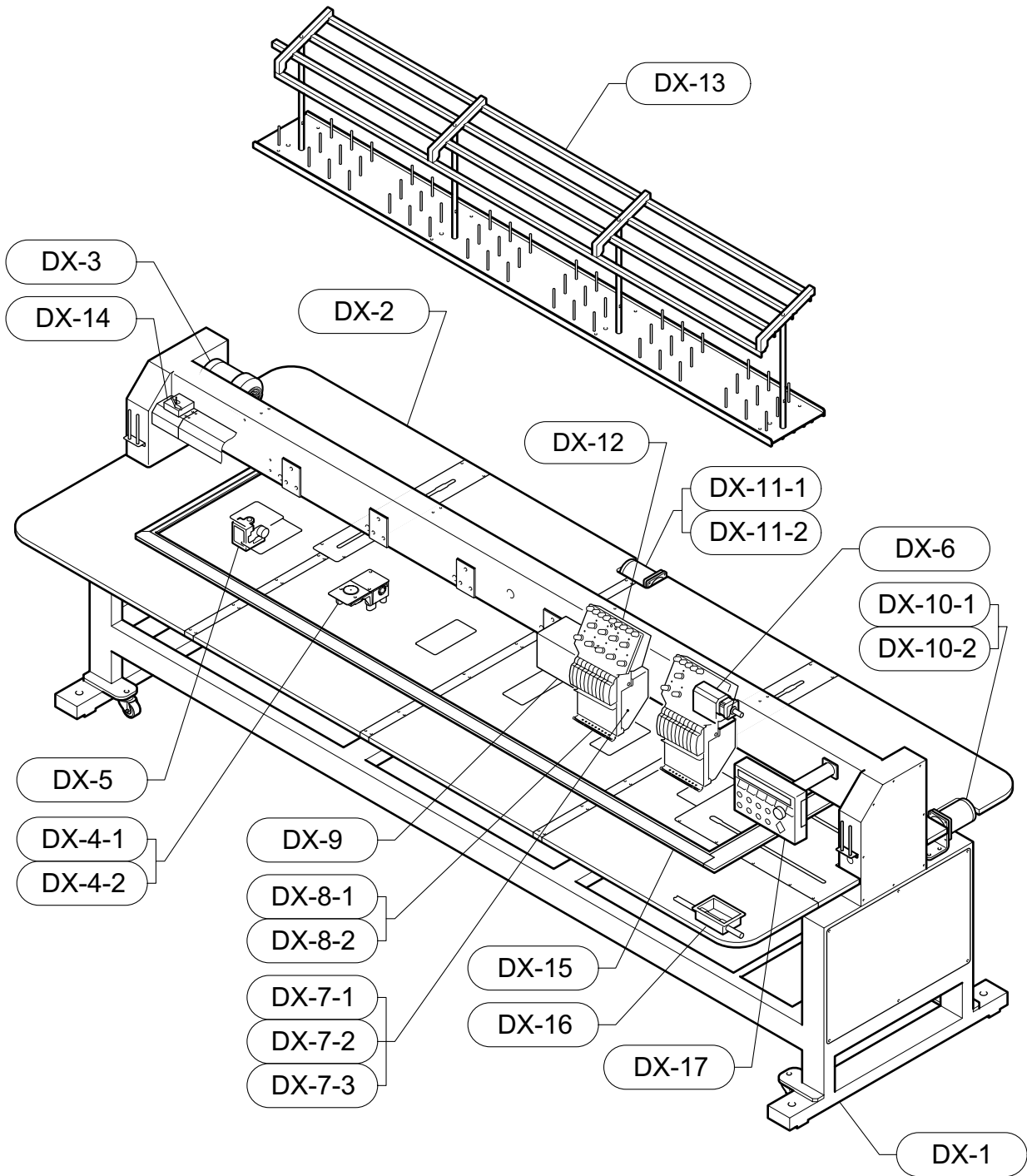
[Explanation of Marks #'s and *'s at End of Part No]

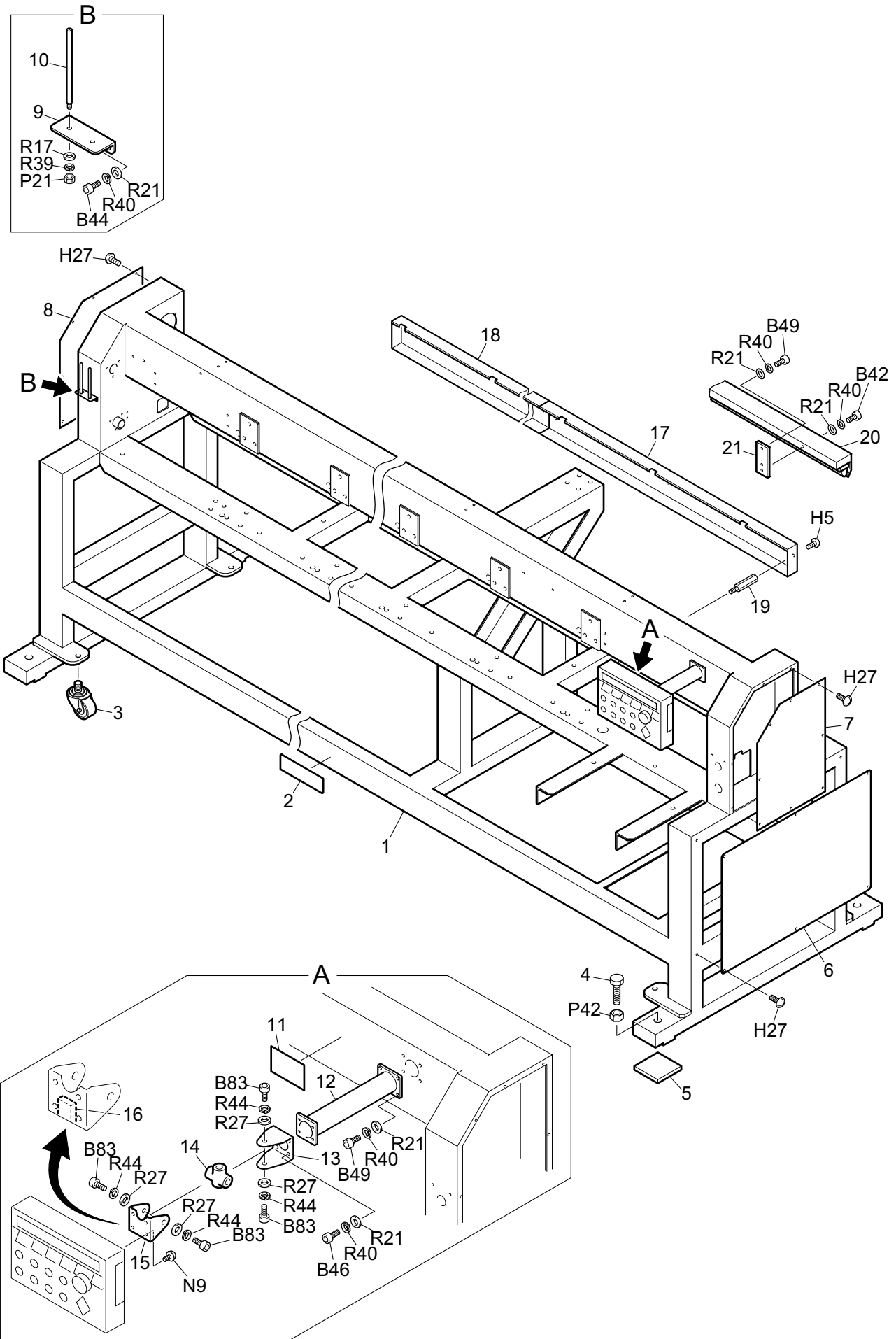
◆ Please specify, in the following manner, your machine model, manufacturing number and embroidery space when you order us with the parts having **** at the end of the part No.:

Ex.	TMFXIII-906	(450×500)S	No.01234
	[Model]	[Emb. Space]	[Mfg. No.]

◆ Please specify the number of needles on your machine's head in your parts order by changing the marks ##### into one of the 4-digit numbers below:

Ex.	The part Number, EF012345#####	
	4-digit Numbers	Machine Type
	0300.....	3-needle machine
	0600.....	6-needle machine
	0900.....	9-needle machine
	1200.....	12-needle machine



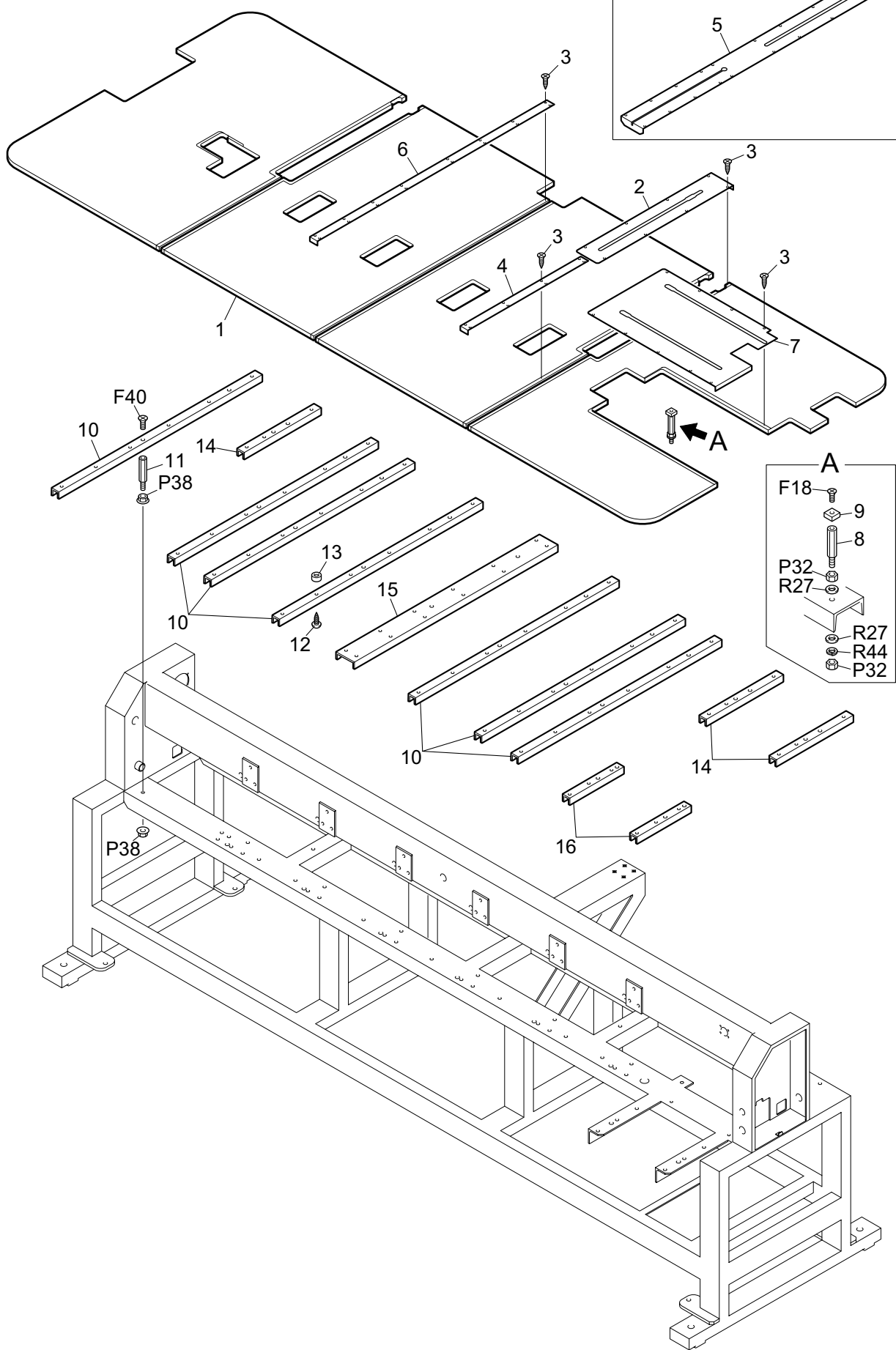


TMFXIII FRAMING

DX-1

Ref.No.	Description	Part No.	Remark
1	Stand	DX0801S0****	
2	TAJIMA Brand Name Plate	CL0830000000	
3	Caster	BP420SAUB650	
4	Adjusting Bolt	GC0822000000	
5	Vibration-preventive Base	EF08100A0000	
6	Side Cover	DX0817000000	
7	Right-end Box Cover	DX0815000000	
8	Left-end Box Cover	DX0816000000	
9	Bobbin Stand Base	EG01060A0000	
10	Bobbin Stand Stud	EF0122000000	
11	Model Name Plate	DX0401000000	
12	Operation Panel Pipe	DX0819000000	
13	Panel Joint	CX08320A0000	
14	Cross Joint	CX08150A0000	
15	Operation Panel Attaching Arm	EG01040A0000	
16	Cushion Rubber	EC0829010000	
17	Card Cover A	DX0808A0****	
18	Card Cover B	DX0808B0****	
19	Wiring Cover Stud	EG0824010000	
20	Fluorescent Lamp	EG7401D00000	For Japan
20	Fluorescent Lamp	ED7401D00000	For Export
21	Fluorescent Lamp Bracket	EG0817000000	
22			
23			
24			
25			
26			
27			
28			
29			
30			
31			
32			
33			
34			
35			
36			
37			
38			
39			
40			
41			
42			
43			
44			
45			
46			
47			
48			
49			

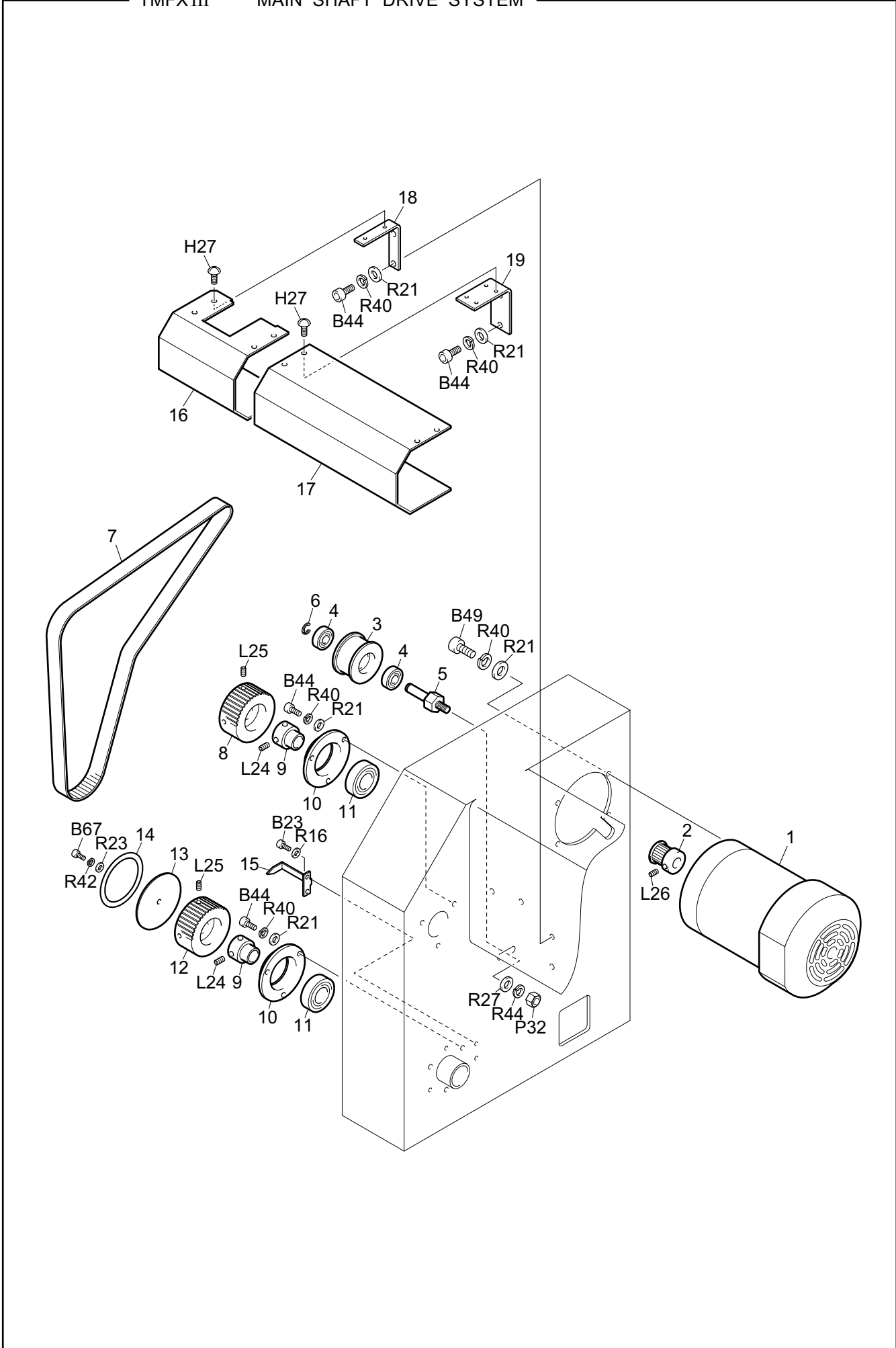
X-Space 500mm



TMFXIII TABLE

DX-2

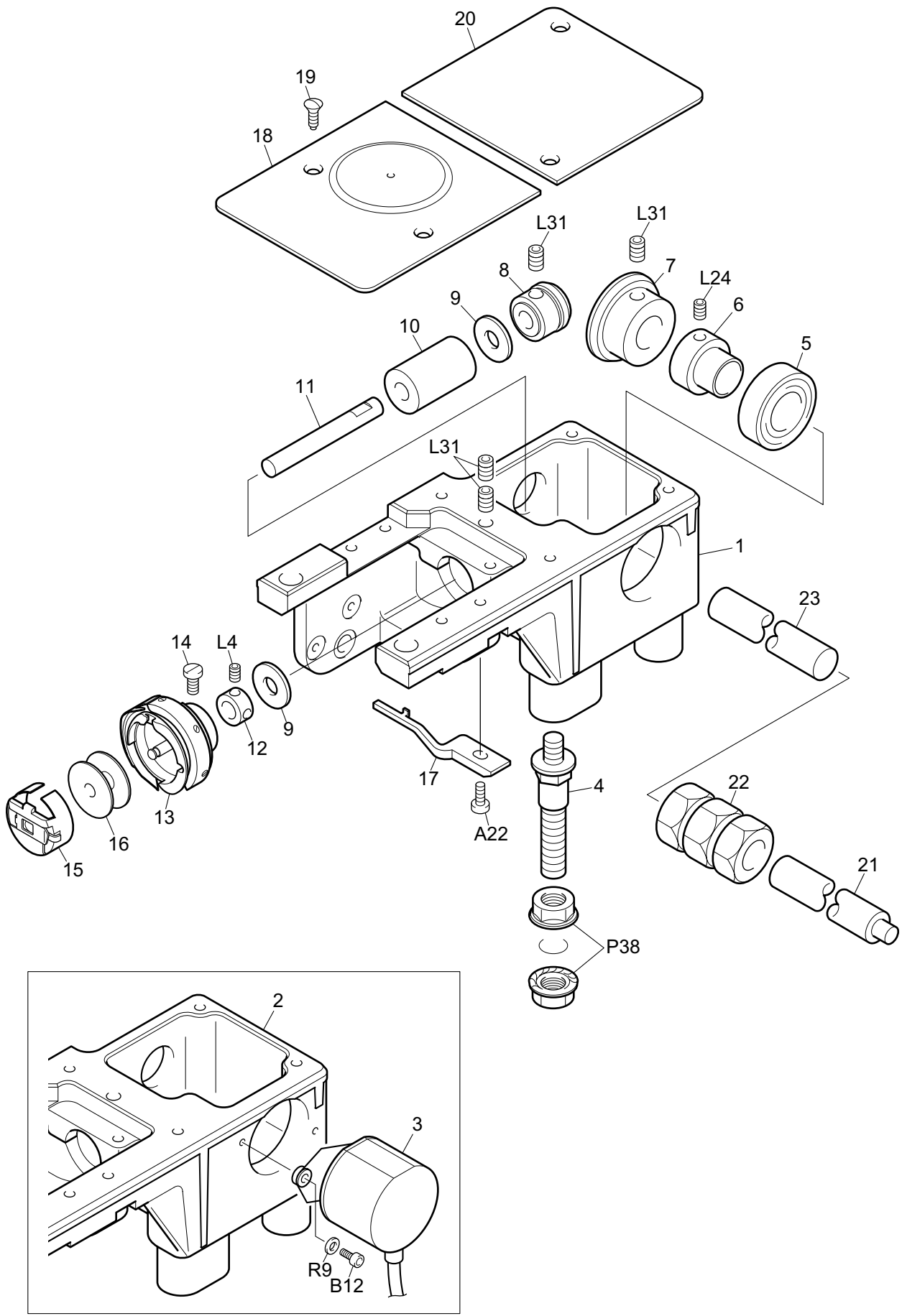
Ref.No.	Description	Part No.	Remark
1	Table	DX080200****	
1	Table	DXG80200****	X-Space 500mm
2	No.1 Table Lid	DX080401****	
3	Countersunk Head Wood Screw	ZZ110312SD00	3.1P*12
4	Joint Table Lid A	DX080601****	
5	No.1 Table Lid	DXG80401****	
6	Joint Table Lid B	DX080701****	
6	Joint Table Lid B	DXG80701****	X-Space 500mm
7	No.2 Table Lid	DX080501****	
8	Lid Support Stud	EFZ807100000	
9	Table Lid Holder Felt	EFZ807200000	
10	No.1 Table Support	DX100100****	
11	Table Support Stud	EF1001010000	
12	Round Head Wood Screw	ZZ410420CC00	4.5P*20
13	Table Support Spacer	DX1005000000	
14	No.2 Table Support	DX100200****	
15	No.3 Table Support	DX100300****	
16	No.4 Table Support	DX100400****	
17			
18			
19			
20			
21			
22			
23			
24			
25			
26			
27			
28			
29			
30			
31			
32			
33			
34			
35			
36			
37			
38			
39			
40			
41			
42			
43			
44			
45			
46			
47			
48			



TMFXIII MAIN SHAFT DRIVE SYSTEM

DX-3

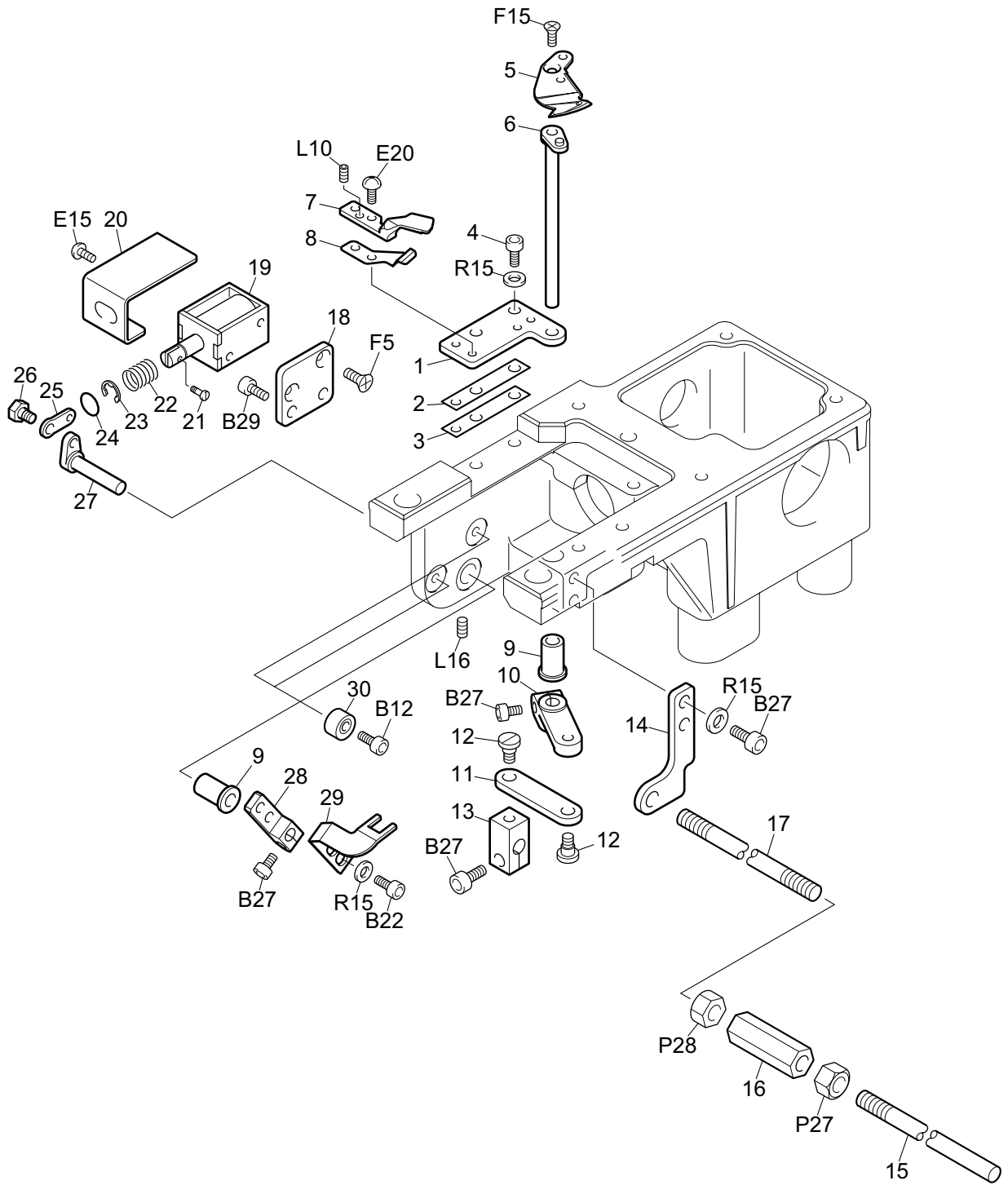
Ref.No.	Description	Part No.	Remark
1	Main Shaft Motor	CX6204010000	
2	Pulley No.3 A	CX0170000000	
3	Tension Roller	CX0166000000	
4	Ball Bearing	BP6000ZZ0000	
5	Tension Pin A	CX0167000000	
6	E-ring	BPE700000000	
7	Timing Belt	BP200S5M950G	
8	Driven Pulley A	DX0101000000	
9	15mm Dia. Bearing Case Collar	EF0106000000	
10	Bearing Case	DL0105000000	
11	Ball Bearing	BP6004ZZ0000	
12	Driven Pulley B	DX0102000000	
13	Graduated Spacer	CX0104000000	
14	Angle Indicator Plate	ED0170000000	
15	Angle Pointer	CX0164000000	
16	Shaft Cover A	DX010300****	
17	Shaft Cover B	DX010400****	
18	Cover Bracket A	CX08G0000601	
19	Cover Bracket	CX08240A0000	
20			
21			
22			
23			
24			
25			
26			
27			
28			
29			
30			
31			
32			
33			
34			
35			
36			
37			
38			
39			
40			
41			
42			
43			
44			
45			
46			
47			
48			
49			
50			



TMFXIII ROTARY HOOK BASE 1

DX-4-1

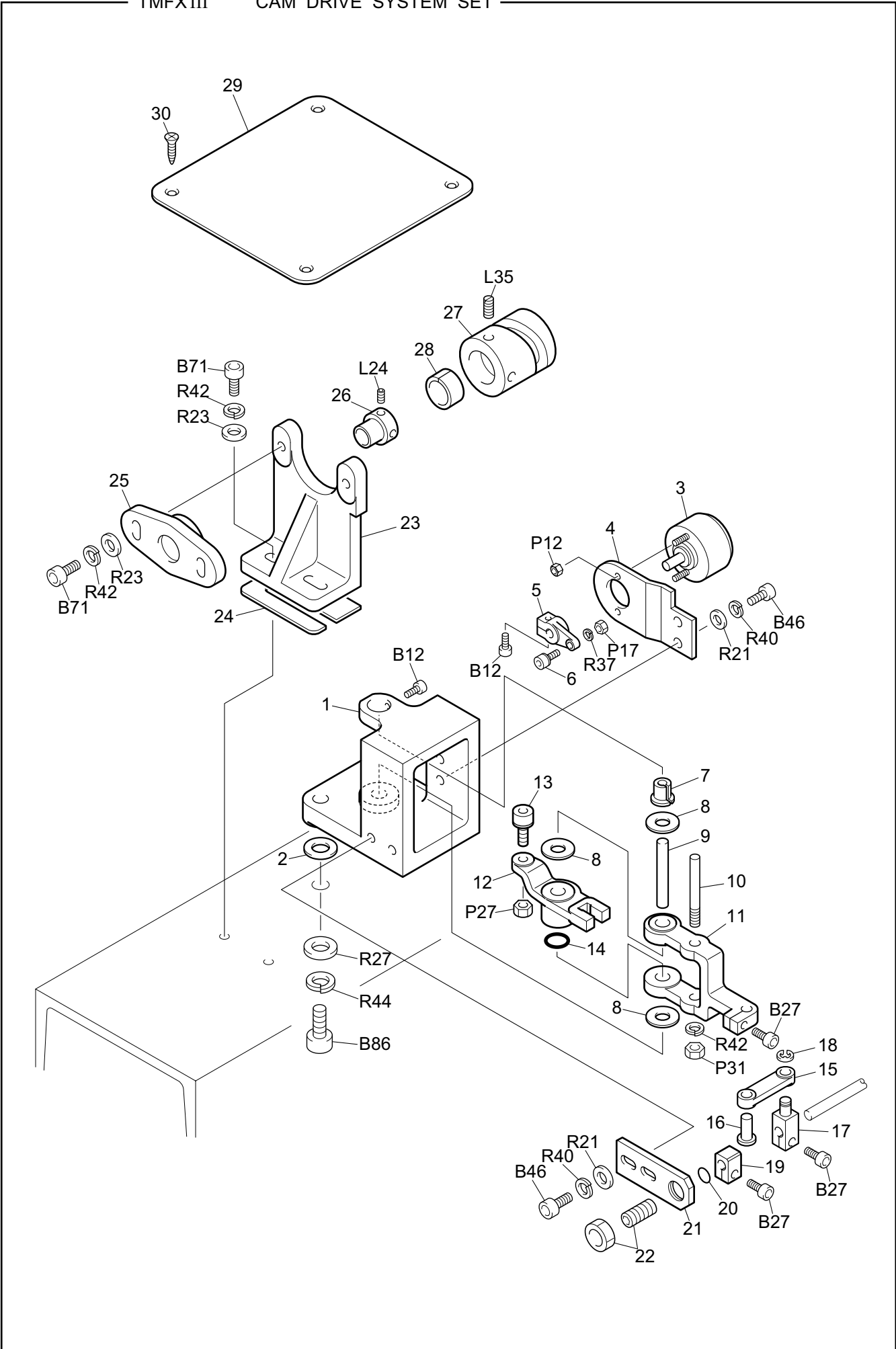
Ref.No.	Description	Part No.	Remark
1	Rotary Hook Base A	FX0201AC0000	
1	Rotary Hook Base A	FXC201AC0000	For Jumbo Rotary Hook
2	Rotary Hook Base B	FX0201BC0000	
2	Rotary Hook Base B	FXC201BC0000	For Jumbo Rotary Hook
3	Rotary Encoder	EF6600A00000	
4	Rotary Hook Base Stud	FX0225000000	
5	Ball Bearing	BP6003ZZ0000	
6	15mm Dia. Bearing Collar	EG0227000000	
7	Spiral Bevel Gear A	EF0203B00000	
8	Spiral Bevel Gear B	EF0204040000	
9	Rotary Hook Shaft Spacer	EF0211000000	
10	Rotary Hook Shaft Bushing	EF0206000000	
10	Rotary Hook Shaft Bushing	EFC206010000	For Jumbo Rotary Hook
11	Rotary Hook Shaft	EF0205010000	
12	7.94mm Dia. Collar	EF0209000000	
13	Rotary Hook	ME0505E2****	
13	Rotary Hook	MEC505E2****	For Jumbo Rotary Hook
14	Rotary Hook Set Screw	ME0506000000	
15	Bobbin Case	ME050300****	
15	Bobbin Case	MEC503000DBM	For Jumbo Rotary Hook
16	Bobbin	ME050402****	
16	Bobbin	MEC504010DBM	For Jumbo Rotary Hook
17	Rotary Hook Support	EF021000****	
17	Rotary Hook Support	EFC210000000	For Jumbo Rotary Hook
18	Needle Plate	FX020200****	
19	Round Countersunk Head Screw	EG0228000000	
20	Top Lid	EG0221010000	
21	Rotary Hook Shaft Drive Shaft A	DX0811A0****	
22	N-Coupling	BPN150150000	
23	Rotary Hook Shaft Drive Shaft B	DX0811B0****	
24			
25			
26			
27			
28			
29			
30			
31			
32			
33			
34			
35			
36			
37			
38			
39			
40			
41			
42			
43			



TMFXIII ROTARY HOOK BASE 2

DX-4-2

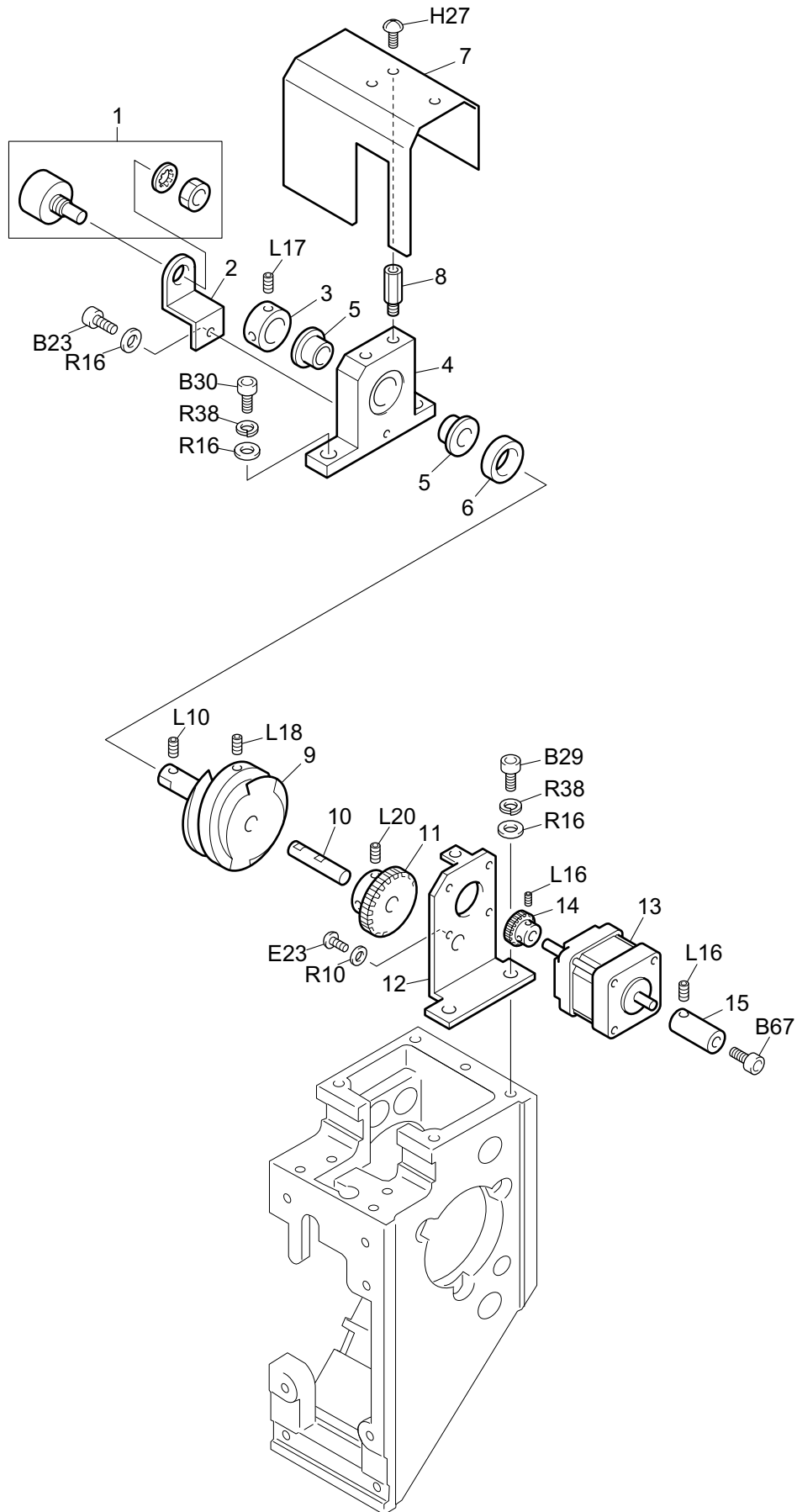
Ref.No.	Description	Part No.	Remark
1	Knife Base	FX0203000000	
2	Adjusting Liner	FX0209000000	0.1mm Thick
3	Adjusting Liner	FX0210000000	0.05mm Thick
4	Hexagon Socket Head Cap Screw	EG0219000000	
5	Movable Knife	FX0227000000	
6	Knife Drive Shaft	EG0205040000	
7	Fixed Knife	FX0228000000	
8	Under Thread Presser	FX0229000000	
9	Bushing	EG0211000000	
10	Knife Drive Arm	AT0205000000	
11	Knife Connecting Lever	AT0207000000	
11	Connecting Plate	GS0206000000	For the last head
12	Connecting Lever Pin	AT0206000000	
13	Connecting Stud	AT0208000000	
14	Connecting Shaft Holder	FX0208000000	
15	Thread Trimming Shaft A	DX0813A0****	
16	M6 Joint	EF0827010000	
17	Thread Trimming Shaft B	DX0813B0****	
18	Solenoid Base	EG0214000000	
19	Solenoid	AT6806D10000	
20	Solenoid Cover	EG02100A0000	
21	Solenoid Pin	EG0252000000	
22	Compressed Spring	EG0218000000	
23	E-ring	BPE400000000	
24	Needle Bar O-Ring	EF0621000000	
25	Connecting Rod	EG0251000000	
26	Stepped Pin	EG0215000000	
27	Connecting Lever Pin	EG0217000000	
28	Picker Connecting Stud	EG0212000000	
29	Wide Picker	EG0213000000	
30	Eccentric Stopper	EG0220000000	
31			
32			
33			
34			
35			
36			
37			
38			
39			
40			
41			
42			
43			
44			
45			
46			
47			
48			
49			



TMFXIII CAM DRIVE SYSTEM SET

DX-5

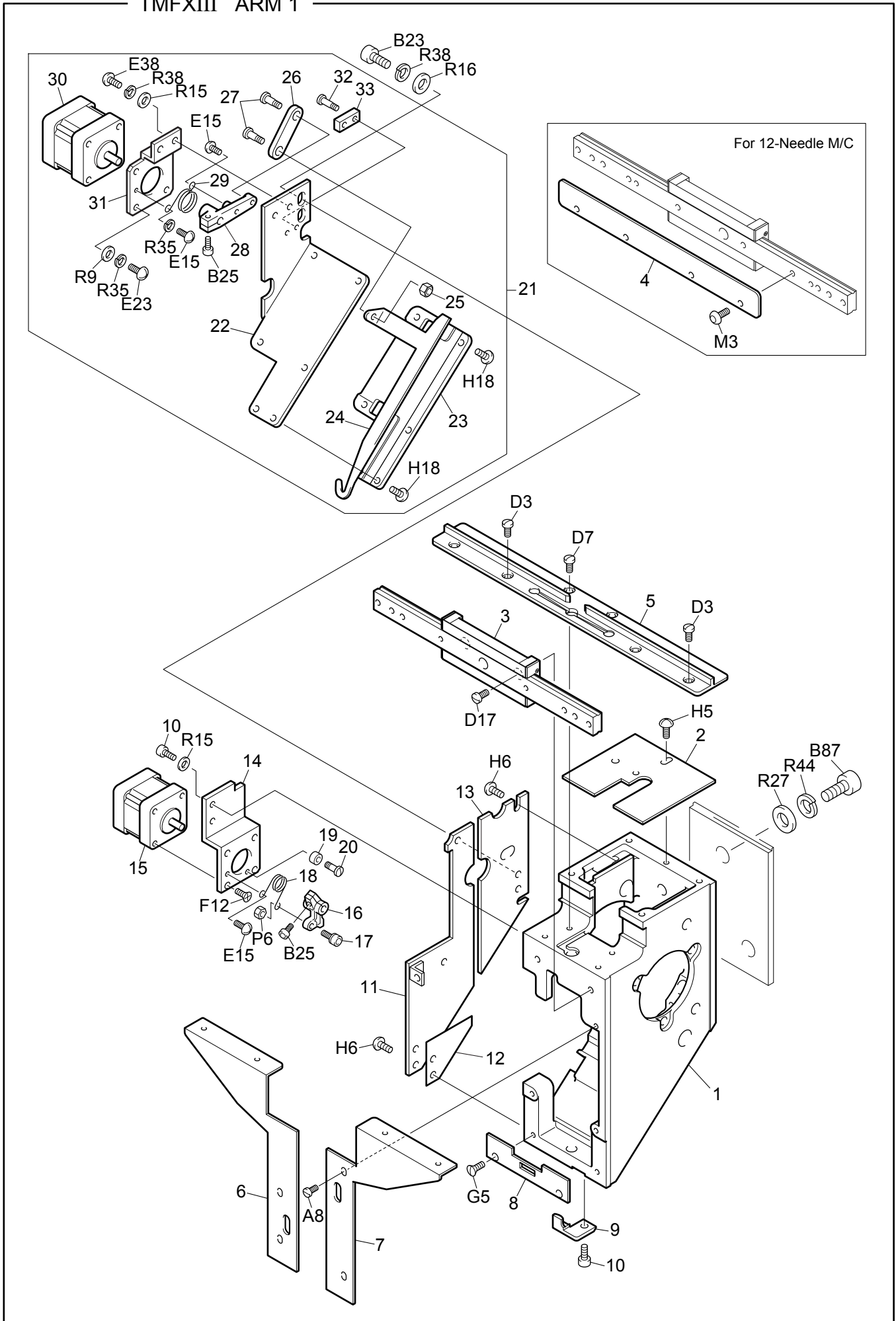
Ref.No.	Description	Part No.	Remark
1	ATH Attaching Base	SFC2010C0000	
2	22mm Dia. Spacer A	CX0896A00000	0.1mm Thick
2	22mm Dia. Spacer B	CX0896B00000	0.3mm Thick
2	22mm Dia. Spacer C	CX0896C00000	1.0mm Thick
3	Thread Trimming Solenoid	AT6805B00000	
4	Solenoid Bracket	SF0207010000	
5	Solenoid Lever	AS0103000000	
6	Roller Shaft A Set	SP0101S00000	
7	Take-up Lever Positioning Bushing	EF0606000000	
8	Washer	BPTW08150000	
9	Drive Lever Shaft	SF0209000000	
10	Drive Lever Pin	SF0210000000	
11	Driven Lever	SF0205000000	
12	Cam Lever	SF0204000000	
12	Cam Lever	SFC204000000	For Jumbo Rotary Hook
13	No.1 Roller Pin Set	CHW105S00000	
14	O-Ring	BPP800000000	
15	Connecting Rod	SF0206000000	
16	Connecting Rod Pin	SF0212000000	
17	Connecting Stud	SF0203000000	
18	E-ring	BPE400000000	
19	Positioning Collar	SF0214000000	
20	O-Ring	BPP600000000	
21	Thread Trimming Shaft Holder	SF0208000000	
22	Case Bearing	BPCSA0602M00	
23	Rotary Hook Shaft Holder	AT11040A0000	
24	Rotary Hook Shaft Holder Spacer	AT1109010000	
25	Rotary Hook Base Shaft Holder	AT1106000000	
26	15mm Dia. Needle Collar	EF0208000000	
27	Thread Trimming Cam	SF0202010000	
28	Cam Split Collar	SF0211000000	
29	ATH Table Lid	SF0807010000	
30	Countersunk Head Wood Screw	ZZ110312SD00	3.1P*12
31			
32			
33			
34			
35			
36			
37			
38			
39			
40			
41			
42			
43			
44			
45			
46			
47			



TMFXIII COLOR CHANGE SYSTEM

DX-6

Ref.No.	Description	Part No.	Remark
1	Potentiometer	PB000100RV00	
2	Sensor Base	CX0401000000	
3	Positioning Collar	CX0402000000	
4	Change Bearing Case	CX04070A0000	
5	Flanged DU Bushing	BPMB120620FD	
6	Positioning Spacer	CX0404010000	
7	Color Change Cover A	CX0417010000	
8	Change Cover Stud	CX0414000000	
9	Change Cam	CX0406000000	
10	Color Change Cam Shaft	CX0413000000	
11	Color Change Gear B	CX0412000000	
12	Color Change Motor Bracket	CX0415000000	
13	Color Change Motor	CX6405010000	
14	Color Change Gear A	CX0411000000	
15	Manual Connecting Shaft	CX0416000000	
16			
17			
18			
19			
20			
21			
22			
23			
24			
25			
26			
27			
28			
29			
30			
31			
32			
33			
34			
35			
36			
37			
38			
39			
40			
41			
42			
43			
44			
45			
46			
47			
48			
49			
50			



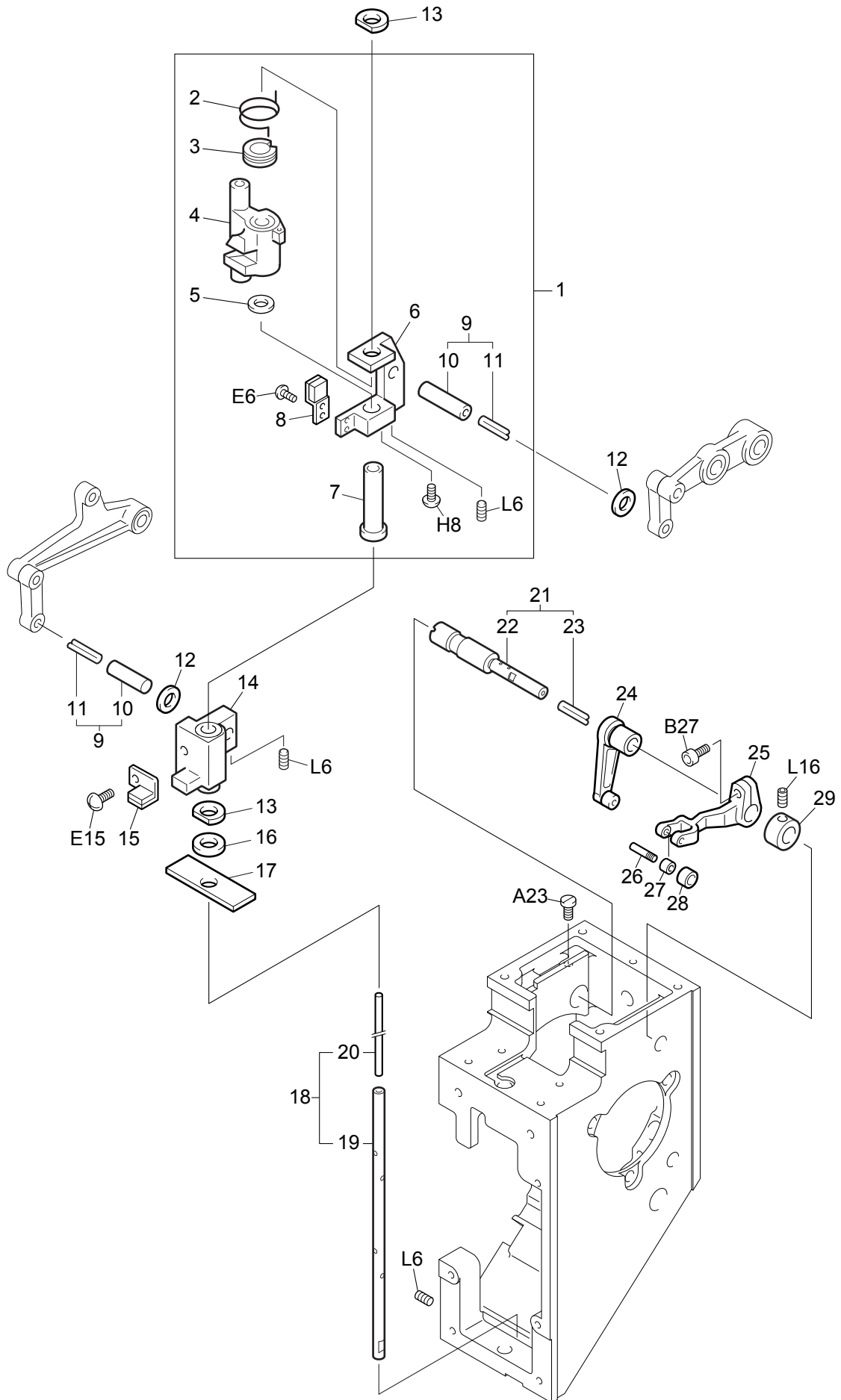
TMFXIII ARM 1

DX-7-1

Ref.No.	Description	Part No.	Remark
1	Arm	CL0579010000	
2	Arm Top Cover	EG05320A0000	
3	Case Linear	FX056600####	
4	Reinforcing Plate	FX056900####	
5	Take-up Lever Guide Rail	CL059200****	Note:
6	Arm Front Cover L	FX0568L0####	
7	Arm Front Cover R	FX0568R0####	
8	Arm Guide Plate	FN0528000000	
9	Positioning Plate	FX0526000000	
10	Hexagon Socket Head Cap Screw	EG0219000000	
11	Arm Side Cover A	CX05010A0000	
12	Seal Packing	FX0553200000	
13	Arm Side Cover B	MX05130A0000	
14	Pulse Motor Base	MX05040A0000	
15	Pulse (Stepping) Motor	MX6402A00000	
16	Jump Lever	MX0502000000	
17	Roller Pin B	CE0117100000	
18	Jump Lever Return Spring	MX0503020000	
19	Cushion	AT0404000000	
20	Cushion Pin	AT0405000000	
21	Assembly Base Set	UN6800500000	
22	Assembly Base	MX0516000000	
23	Base Lid A	AT0332000000	
24	Upper Thread Hook A	AT1303030000	
25	Special Nut	AT0307200000	
26	Arm Connecting Rod	MX0519000000	
27	Lever Connecting Pin	AT0309000000	
28	Upper Thread Hook Lever	MX0517000000	
29	Upper Thread Hook Return Spring	MX0520000000	
30	Pulse (Stepping) Motor	MX6402000000	
31	Pulse Motor Base	MX0518000000	
32	Cushion Pin B	AT1306000000	
33	Arm Cushion	AT1309000000	
34			
35			Note: When ordering this part, please also
36			specify for which head (1st head, last head,
37			or other than these heads) it is used.
38			
39			
40			
41			
42			
43			
44			
45			
46			
47			
48			
49			
50			

Note: As for parts with marks # or *, please follow our instructions on Table of Contents in your parts order.

(DF02)



TMFXIII ARM 2

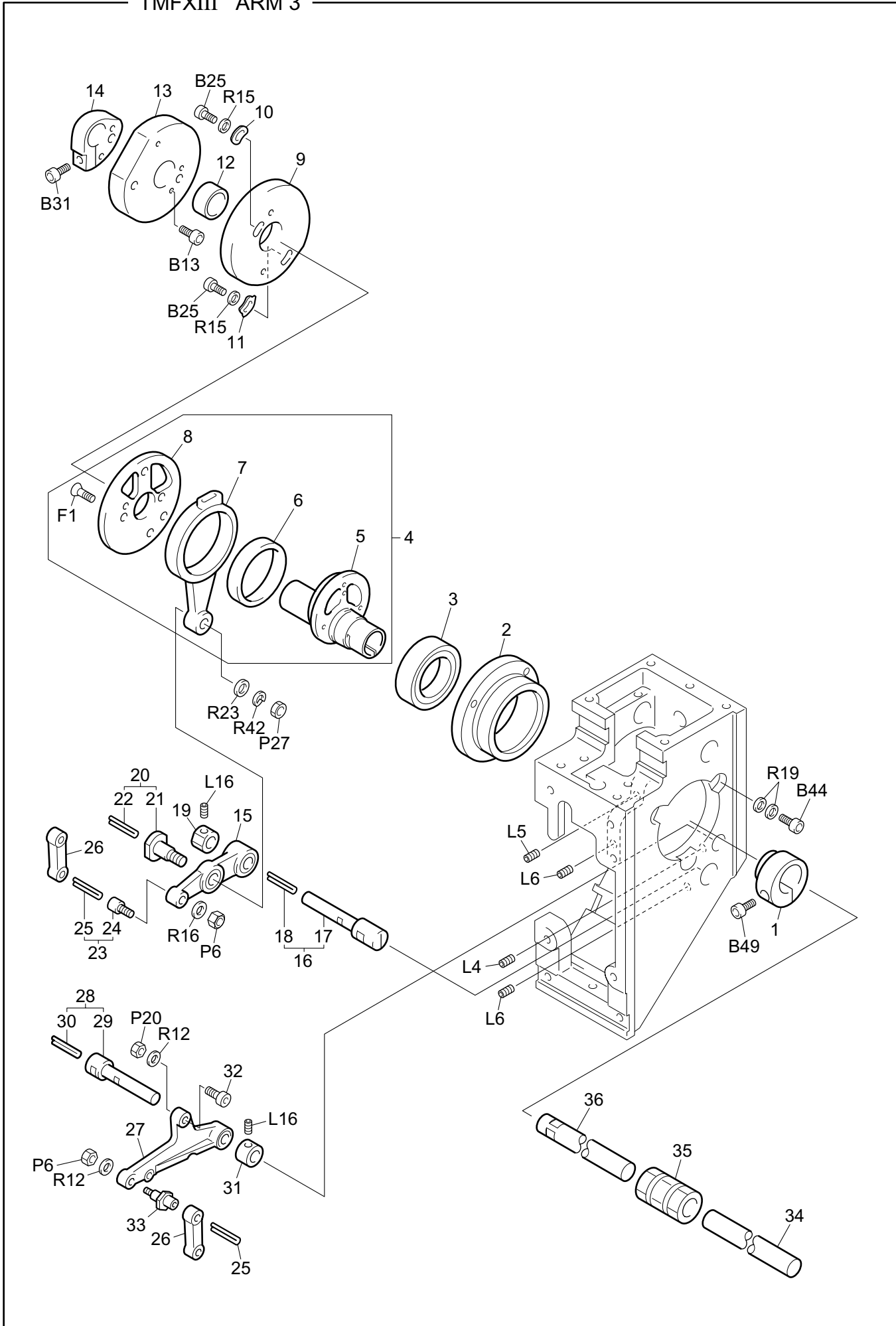
DX-7-2

Ref.No.	Description	Part No.	Remark
1	Needle Bar Reciprocator Set	UN25009100NR	
2	Jump Spring	FX0516000000	
3	Spring Cradle	FX0564000000	
4	Needle Bar Reciprocator	FX0515000000	
5	Needle Bar Reciprocator Spacer	EF0554000000	
6	Reciprocator Slide Block	FX0565000000	
7	Needle Bar Drive Shaft Bushing	CX0506010000	
8	Stopper Base	FX0519000000	
9	No.4 Pin Set	UN2505200000	
10	No.4 Pin	EF0512010000	
11	Wick B	EF0557000000	
12	Connecting Rod Washer	EF0555010000	
13	Needle Bar Drive Shaft Felt A	FX0561010000	
14	Presser Foot Reciprocator	FX0520040000	
15	Cushion Bracket	FX0521000000	
16	Bearing Case Collar	ME0555000000	
17	Needle Bar Drive Shaft Felt	FX0524000000	
18	Needle Bar Drive Shaft Set	UN2501102000	
19	Needle Bar Drive Shaft	FX0522030000	
20	Needle Bar Drive Shaft Wick	EG0536000000	
21	Take-up Lever Drive Lever Pin Set	CL0572S10000	
22	Take-up Lever Drive Lever Pin	CL0572010000	
23	Wick B	EG0544000000	
24	Take-up Lever Drive Lever A Set	CL0573S00000	
25	Take-up Lever Drive Lever B	CL0574010000	
26	Roller Pin	CL0577000000	
27	Needle Cage	BPKT367N0000	
28	8mm Dia. Roller	CL0578000000	
29	8mm Dia. Collar	EF0418000000	
30			
31			
32			
33			
34			
35			
36			
37			
38			
39			
40			
41			
42			
43			
44			
45			
46			
47			
48			
49			
50			

Note: As for parts with marks # or *, please follow our instructions on Table of Contents in your parts order.

(DF02)

From the library of: Superior Sewing Machine & Supply LLC



TMFXIII ARM 3

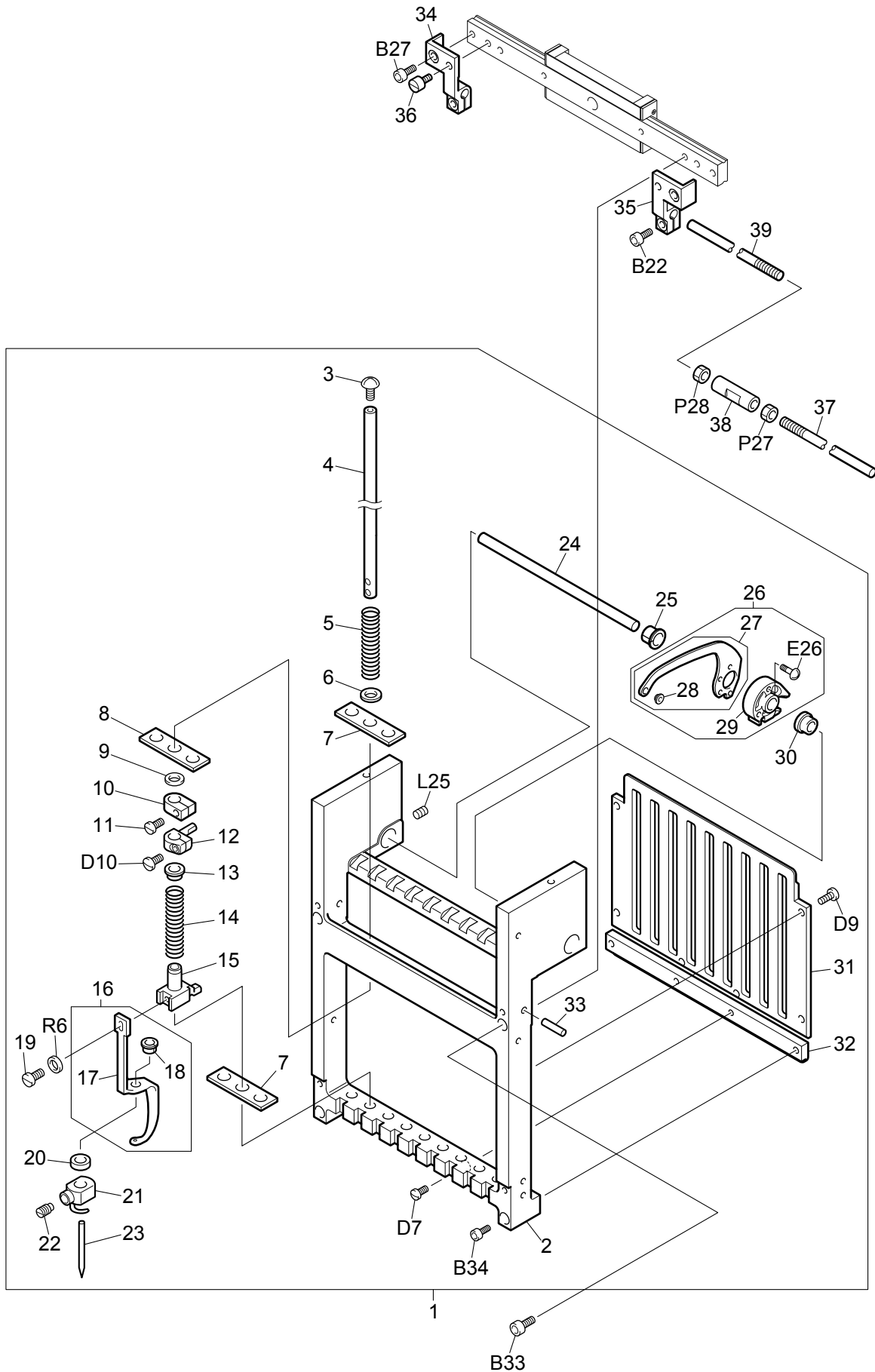
DX-7-3

Ref.No.	Description	Part No.	Remark
1	Needle Bar Cam Tightening Collar	EF0508000000	
2	Bearing Case	EF0502010000	
3	Ball Bearing	BP6004ZZ0000	
4	Needle Bar Drive Cam Set	UN250100B0NR	
5	Needle Bar Drive Cam	FX0502000000	
6	Needle Cage	BPK384188X01	
7	Connecting Rod	EF0505010000	
8	Take-up Lever Cam Base	CL0576000000	
9	Take-up Lever Drive Cam B	CL0575000000	
10	Cam Washer	EF0522000000	
11	Cam Washer A	EF0522A00000	
12	Cam Spacer	MX0505000000	
13	Presser Foot Cam	MX0508020000	
14	Presser Foot Cam Boss	MXJ509000000	
15	Needle Bar Drive Lever Set	EG0527000000	
16	No.2 Pin Set	UN2505300000	
17	No.2 Pin	EG0528000000	
18	Wick A	EG0543000000	
19	8mm Dia. Collar	MX0507000000	
20	No.1 Pin Set	UN2505601000	
21	No.1 Pin	FX0506010000	
22	Wick A	EF0556000000	
23	No.3 Pin Set	UN2505101000	
24	No.3 Pin	EF0511010000	
25	Wick B	EF0557000000	
26	Needle Bar Drive Connecting Rod	EF0513000000	
27	Drive Lever	MX0510020000	
28	No.1 Drive Shaft Set	UN2505501000	
29	No.1 Drive Shaft	FX0504010000	
30	Wick C	EF0558000000	
31	8mm Dia. Collar	EF0418000000	
32	Cam Follower	BPCFS4000000	
33	Eccentric Pin	MX0511010000	
34	Needle Bar Drive Shaft A	DX0810A0****	
35	N-Coupling	BPN150150000	
36	Needle Bar Drive Shaft B	DX0810B0****	
37			
38			
39			
40			
41			
42			
43			
44			
45			
46			
47			
48			
49			
50			

Note: As for parts with marks # or *, please follow our instructions on Table of Contents in your parts order.

(CG09)

From the library of: Superior Sewing Machine & Supply LLC



TMFXIII NEEDLE BAR CASE 1

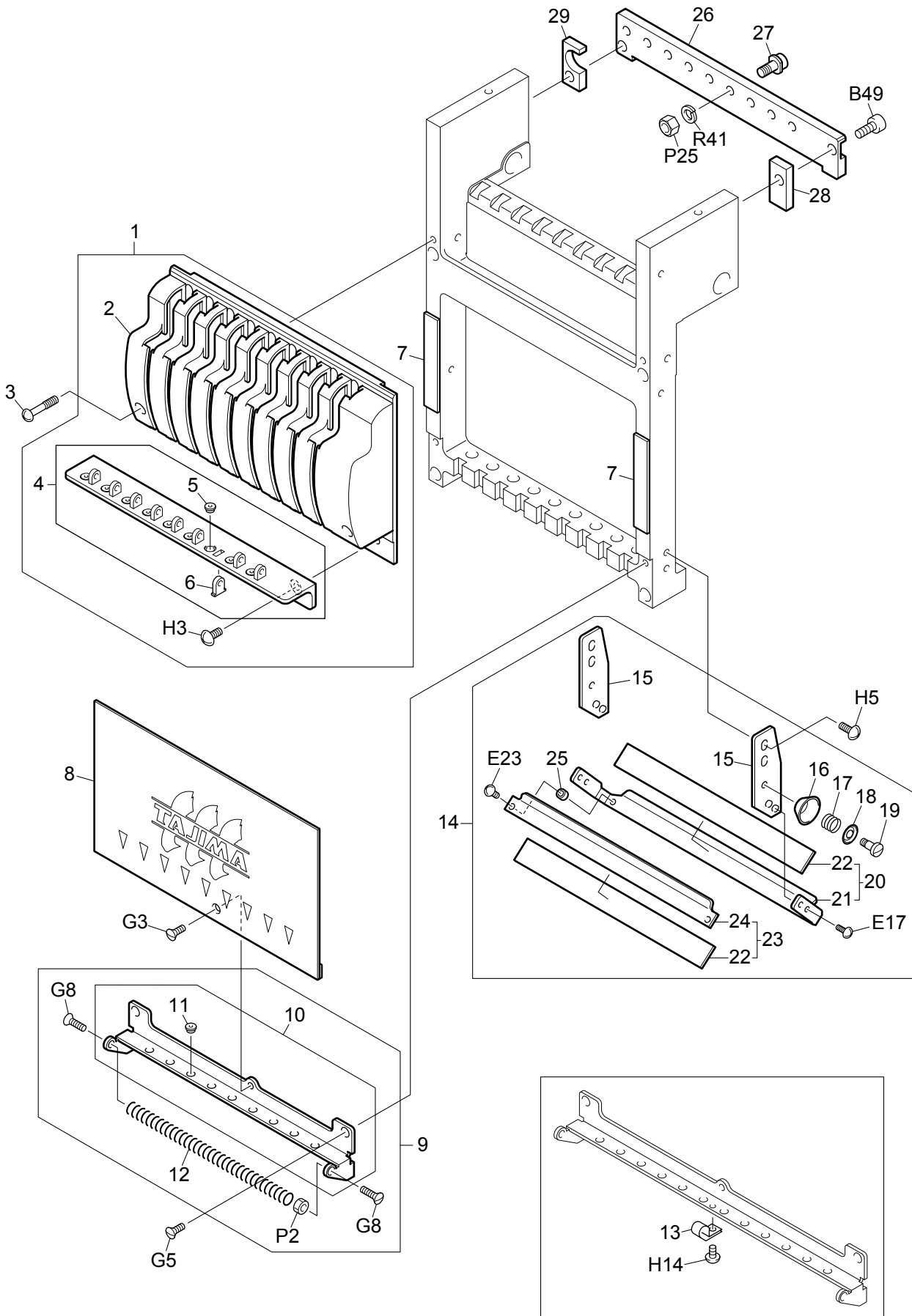
DX-8-1

Ref.No.	Description	Part No.	Remark
1	Needle Bar Case Set	UN260053####	
1	Needle Bar Case Set	UN26C053####	For Jumbo Rotary Hook
2	Needle Bar Case	CX068500####	
3	Holder Spring Set Screw	EF0620000000	
4	Needle Bar	FX0632000000	
5	Needle Bar Holder Spring	EF0618030000	
6	Spring Shoe Washer	EF0619000000	
7	Felt Packing	EF062300####	
8	Cushion Rubber B	EF062700####	
9	Cushion Ring E	FX0615000000	
10	Upper Dead Point Stopper	EF0617010000	
11	Flat Fillister Head Screw	EF0647000000	
12	Needle Bar Connecting Stud	CX0606000000	
13	Presser Foot Spring Holder	FX0618010000	
14	Presser Foot Spring D	FX0619D10000	
15	Presser Foot Connecting Stud	FX0621010000	
16	Presser Foot Set	FX0620000000	
17	Presser Foot	FX0620100000	
18	Presser Foot Bushing	EF0613220000	
19	Presser Foot Set Screw	FX0622000000	
20	Cushion Ring A	EF0642020000	
21	Needle Clamp	EF0616010000	
22	Needle Set Screw	EF0615000000	
23	Needle	EF0640000000	DB K5-11
24	Take-up Lever Shaft	EF060200####	
24	Take-up Lever Shaft	FX0602001200	For 12-Needle M/C
25	Take-up Lever Positioning Bushing	EF0606000000	
26	Roller Type Take-up Lever Set	CL0611S20000	
26	Roller Type Take-up Lever Set	CLC611S20000	For Jumbo Rotary Hook
27	Take-up Lever	FX0603020000	
27	Take-up Lever	FXC603020000	For Jumbo Rotary Hook
28	Thread Guide	MX0521010000	
29	Take-up Lever Boss	CL0611010000	
30	Take-up Lever Adjusting Bushing	EF0605000000	
31	Needle Bar Guide Rail	FX064200####	
32	Case Rail, Lower	FX061200####	
33	Parallel Pin	BPH70416L000	
34	Color Change Bracket L	FX0640L00000	
35	Color Change Bracket R	FX0640R00000	
36	Pin No.714	CD0E16000000	
37	Slide Shaft A	DX0812A0****	
38	M6 Joint	EF0827010000	
39	Slide Shaft B	DX0812B0****	
40			
41			
42			
43			
44			
45			
46			

Note: As for parts with marks # or *, please follow our instructions on Table of Contents in your parts order.

(DF02)

From the library of: Superior Sewing Machine & Supply LLC



TMFXIII NEEDLE BAR CASE 2

DX-8-2

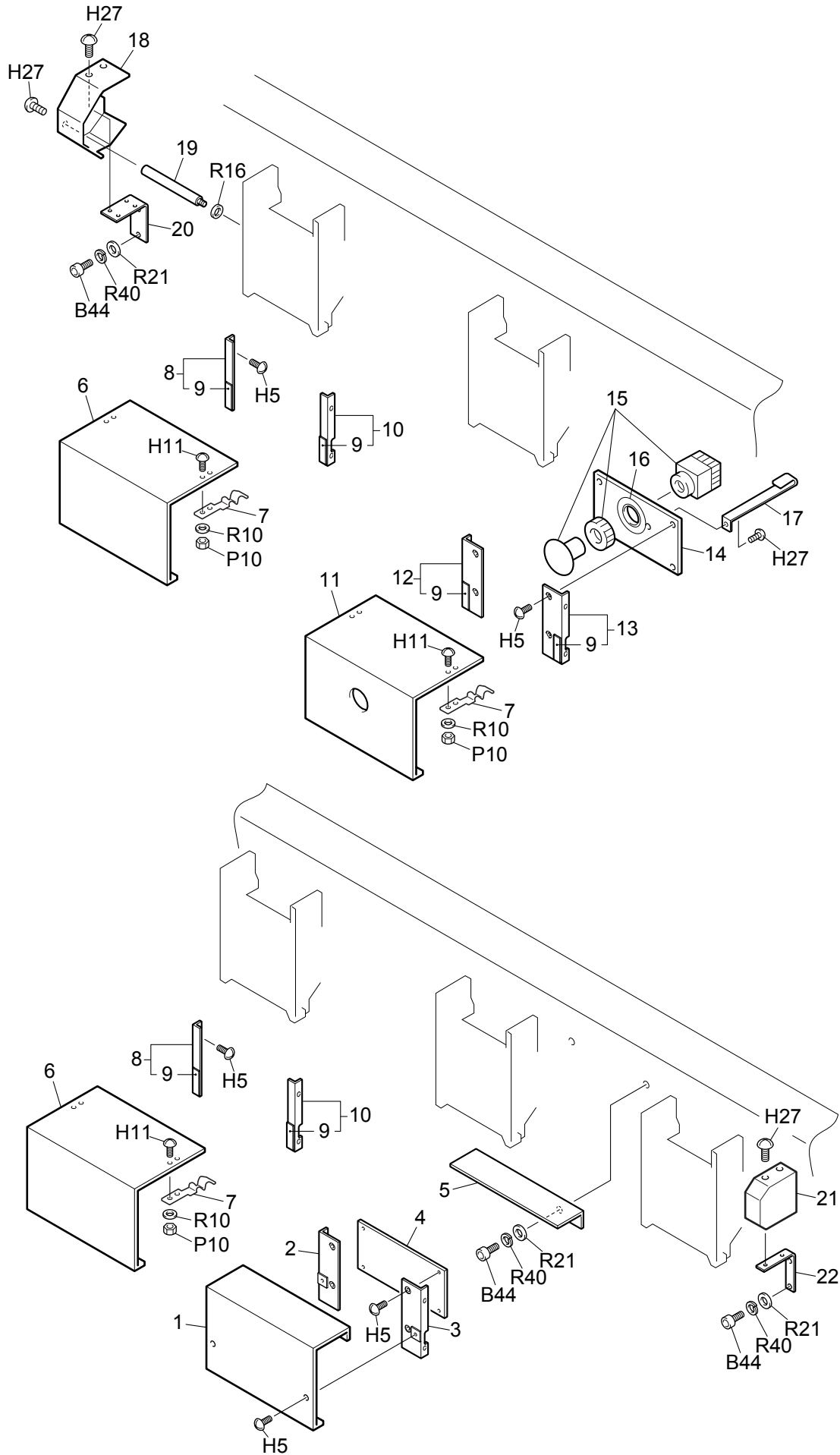
Ref.No.	Description	Part No.	Remark
1	Top Cover Set	UN260025****	
1	Top Cover Set	UN26C025****	For Jumbo Rotary Hook
2	Top Cover	CX067100####	
2	Top Cover	CXC67100####	For Jumbo Rotary Hook
3	Top Cover Attaching Screw	CX0675000000	
4	Middle Thread Guide Set	CX067201####	
5	Thread Guide	MX0521010000	
6	Thread Guide	MX0522010000	
7	Magnet Rubber	EF0635210300	
8	Face Plate	EC060101####	
9	Lower Thread Guide Set	UN260061####	
10	Lower Thread Guide	FX062602####	
11	Thread Guide	FX0626110000	
12	Thread Hook Spring	EF063102####	
12	Thread Hook Spring	FX0627031200	For 12-Needle M/C
13	Spring Presser Bracket	FX0633010000	For 12-Needle M/C
14	Thread Presser Base Set	UN680033####	
15	Upper Thread Holder Bracket	AT0323000000	
16	Thread Suspender Disk	EF0637000000	
17	Thread Suspender Spring	EF0639000000	
18	Thread Suspender Spring Presser	EF0638000000	
19	Thread Suspender Attaching Screw	AT2311000000	
20	Thread Presser Base (with Tape)	UN680172####	
21	Thread Presser Base	AT032400####	
22	Velcro	AT030500####	
22	Velcro	FX0631201200	For 12-Needle M/C
23	Thread Presser Lid (with Tape)	UN680182####	
24	Thread Presser Lid	AT032500####	
25	Thread Presser Spacer	AT0304000000	
26	Change Roller Base	CX069100####	
27	Cam Roller Pin Set	EF0519S00000	
28	Space Block A	CX0677010000	
29	Space Block B	CX0678010000	
30			
31			
32			
33			
34			
35			
36			
37			
38			
39			
40			
41			
42			
43			
44			
45			
46			

Note: As for parts with marks # or *, please follow our instructions on Table of Contents in your parts order.

(DF02)

From the library of: Superior Sewing Machine & Supply LLC

TMFXIII FRONT COVER



TMFXIII FRONT COVER

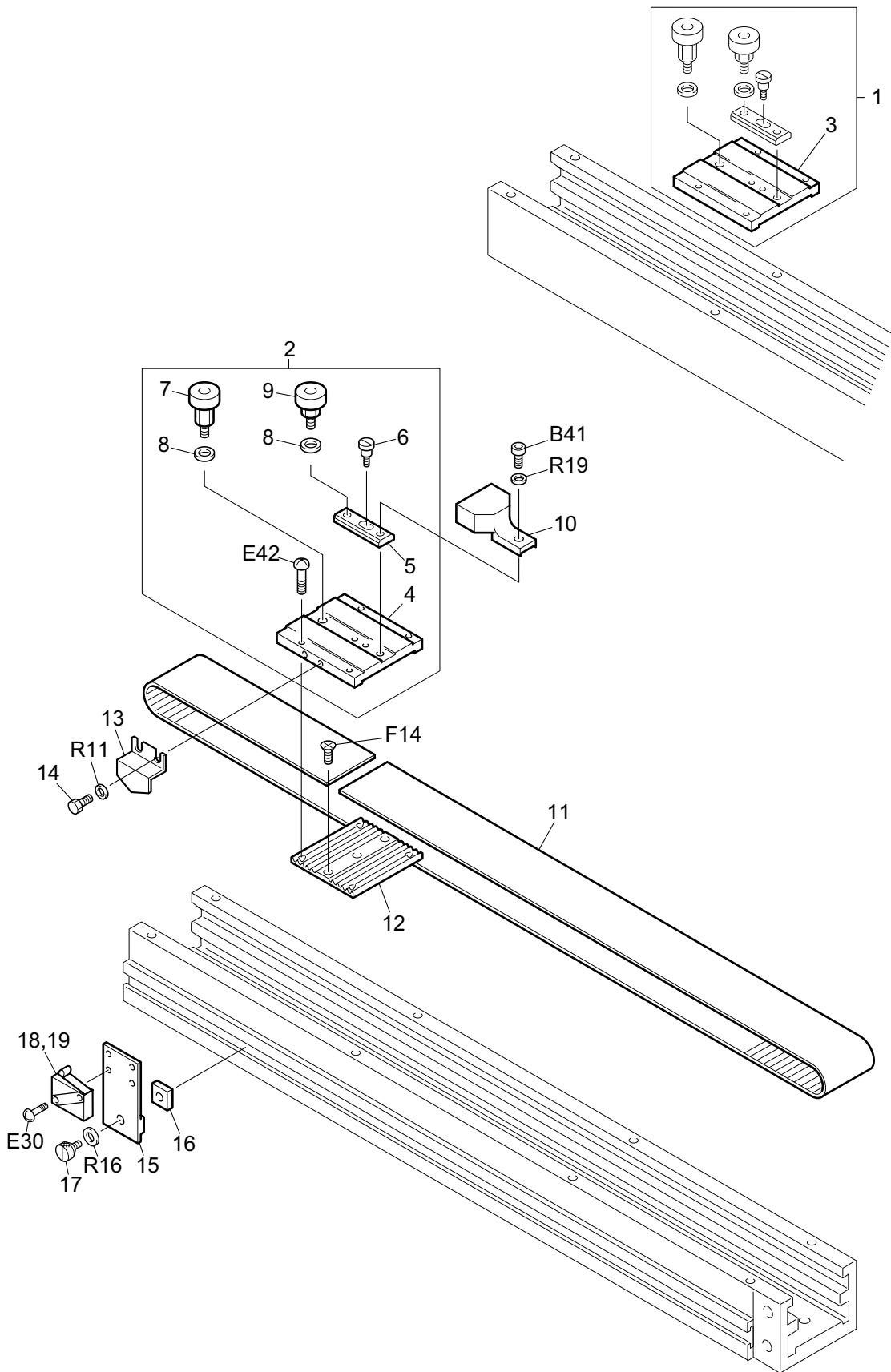
DX-9

Ref.No.	Description	Part No.	Remark
1	Front Cover A	CX0666AB****	
2	Cover Attaching Bracket L Set	CX0686L00000	
3	Cover Attaching Bracket R Set	CX0686R00000	
4	Connecting Plate	CX0690000000	
5	Top Cover	CX08B70A****	
6	Front Cover B	MX08160C****	
7	Cover Plate Spring	FX0805010000	
8	Cover Attaching Bracket L	FX0637L00000	
9	Plate Magnet	FX0628200000	
10	Cover Attaching Bracket R	FX0637R00000	
11	Front Cover J	EN08690C****	
12	Cover Attaching Bracket L Set	BX0812E00000	
13	Cover Attaching Bracket R Set	BX0812F00000	
14	Stop Switch Base	EN089000****	
15	Push-button Switch	PB0019D0SP00	
16	Push-button Switch Emergency Stop Plate	PB0019C0SP00	
17	Cord Clamp	BX0810000000	
18	Arm L Cover	CX0899000000	
19	L Cover Stud	CX0808010000	
20	Cover Bracket	CX08240A0000	
21	Arm R Cover	CX08M3000000	
22	Cover Bracket A	CX08G0010000	
23			
24			
25			
26			
27			
28			
29			
30			
31			
32			
33			
34			
35			
36			
37			
38			
39			
40			
41			
42			
43			
44			
45			
46			
47			
48			
49			
50			

Note: As for parts with marks # or *, please follow our instructions on Table of Contents in your parts order.

(DF02)

From the library of: Superior Sewing Machine & Supply LLC

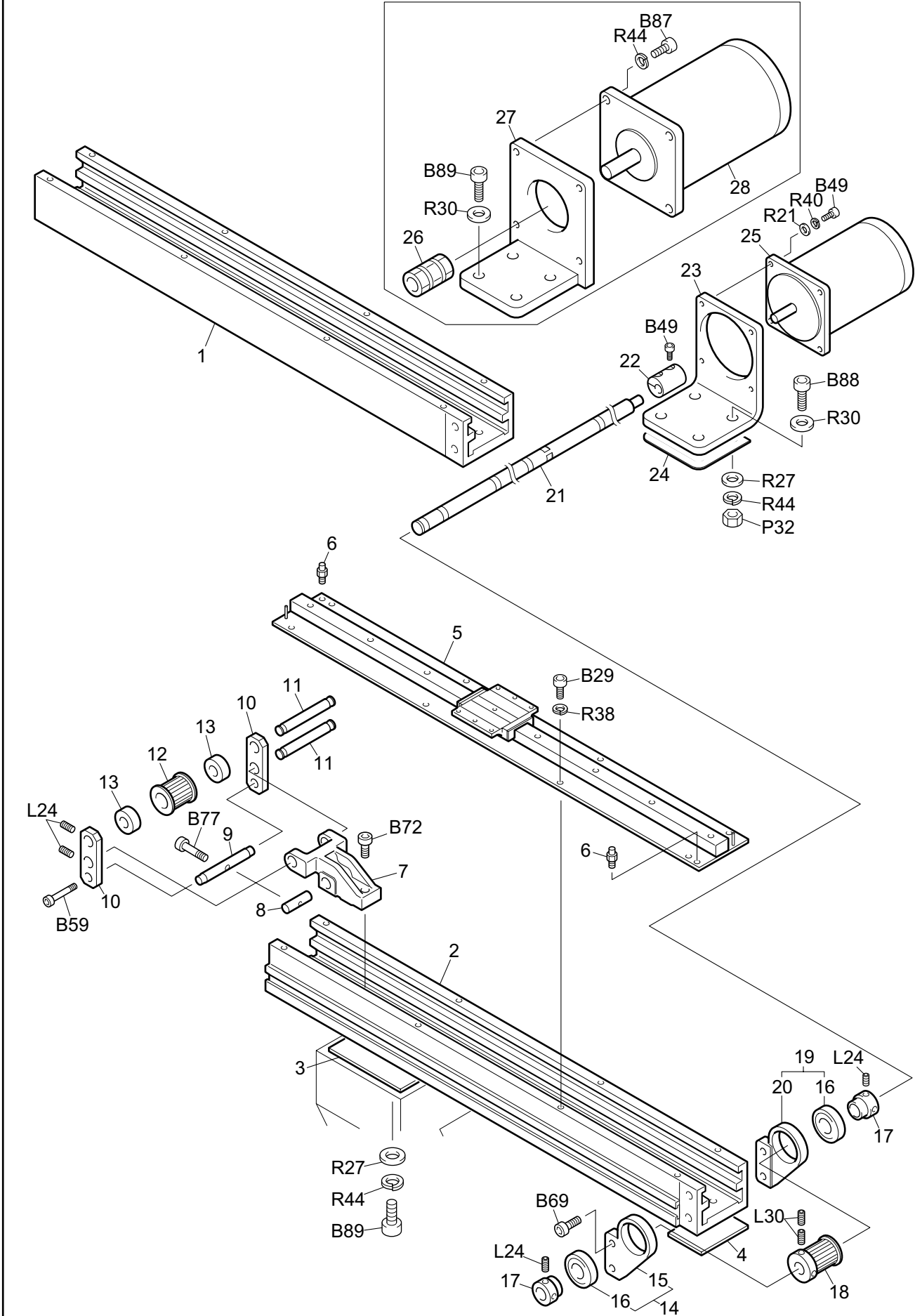


TMFXIII X-AXIS DRIVE SYSTEM 1

DX-10-1

Ref.No.	Description	Part No.	Remark
1	X-axis Feed Plate A Set	UN110180MXA0	
2	X-axis Feed Plate B Set	UN110180MXB0	
3	X-axis Feed Plate A	MX0735A00000	
4	X-axis Feed Plate B	MX0735B00000	
5	Presser Roller Base	EG0715020000	
6	Roller Base Guide Pin	EG0718000000	
7	Bearing Pin A	EG0778010000	
8	Roller Pin Spacer	EG0770000000	
9	Bearing Pin B	EG0779010000	
10	X-axis Roller Cover	MX07140A0000	
11	Timing Belt	BPS5M35N****	
12	Belt Catcher Plate	MX0732000000	
13	LS Dog Base	MX0730010000	
14	Hexagon Bolt	EG0780000000	
15	Limit Switch Base B	EG0727B10000	
16	Fixing Base	EG0730000000	
17	Adjusting Knob	EG0731000000	
18	Limit Switch	PB001000SP00	
19	Actuator	MS6602000000	
20			
21			
22			
23			
24			
25			
26			
27			
28			
29			
30			
31			
32			
33			
34			
35			
36			
37			
38			
39			
40			
41			
42			
43			
44			
45			
46			
47			
48			
49			
50			

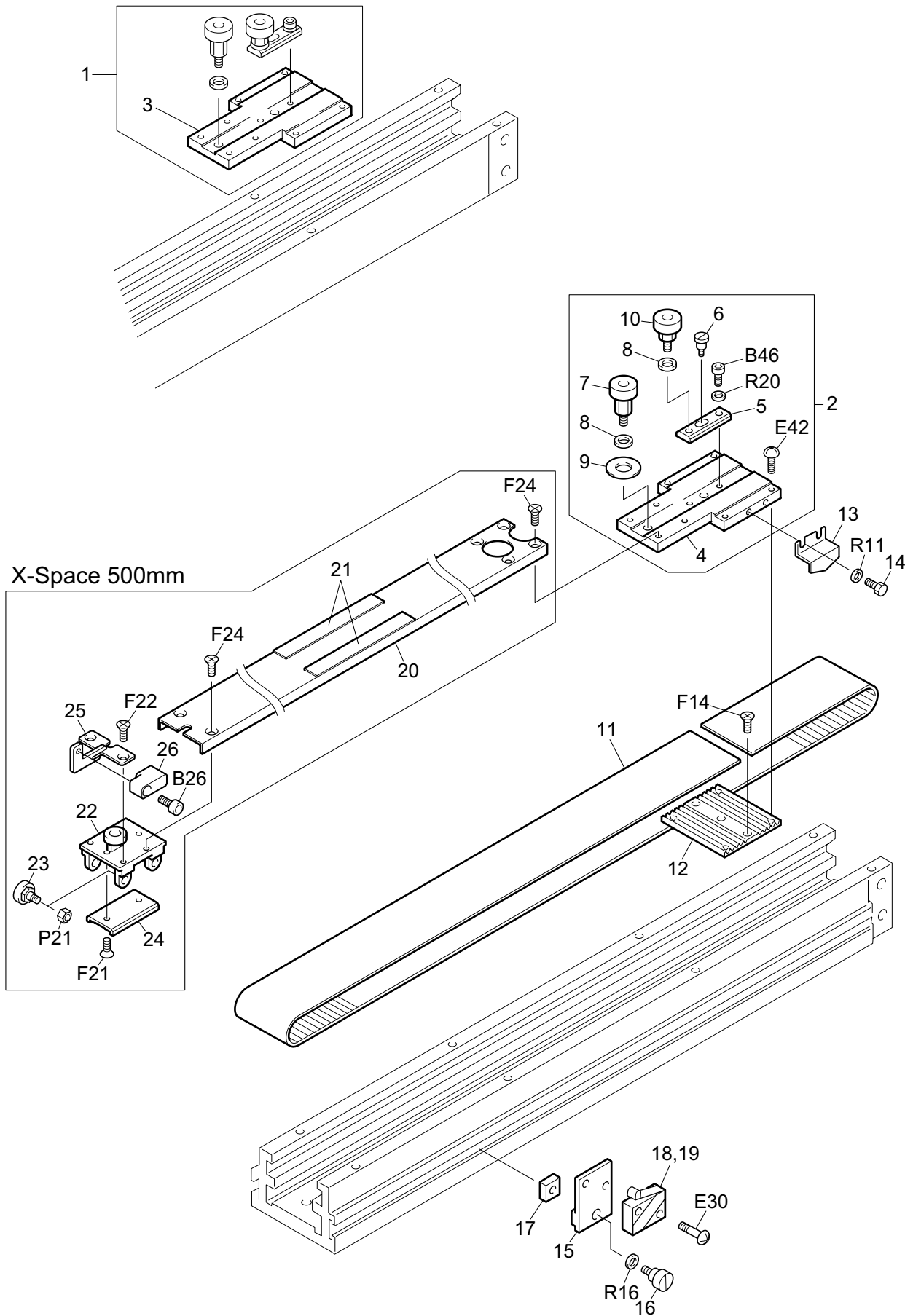
X-Space 500mm



TMFXIII X-AXIS DRIVE SYSTEM 2

DX-10-2

Ref.No.	Description	Part No.	Remark
1	X-axis Driver Frame A	MX0721A0****	
2	X-axis Driver Frame B	MX0721B0****	
3	Driver Cam Base Spacer	MX083200****	
4	Driver Spacer C	EF083100****	
5	X-axis Drive Linear Base Set	MX074800****	
6	Stopper	MX0729000000	
7	Tension Base Holder	MX0734000000	
8	Driver Tension Shaft	MX0728000000	
9	Tension Shaft	MX0724000000	
10	Vertical Tension Base	MX0723000000	
11	Tension Pulley Shaft	MX0725000000	
12	Tension-side Timing Pulley A Set	UN110030A000	
13	Tension Spacer	MX0726000000	
14	Bearing Case Plate L (with Bearing)	MXS733L00000	
15	Bearing Case Plate L	MX0733L00000	
16	Ball Bearing	BP6003ZZ0000	
17	15mm Dia. Bearing Collar	EG0227000000	
18	Driver-side Timing Pulley A	MX0710A00000	
19	Bearing Case Plate R (with Bearing)	MXS733R00000	
20	Bearing Case Plate R	MX0733R00000	
21	X Shaft	DX0814000000	
21	X Shaft	DXG814000000	X-Space 500mm
22	Split Joint	CX0784000000	
23	Pulse Motor Base	DX0701000000	
24	Pulse Motor Spacer A	DX0702A00000	0.5mm Thick
24	Pulse Motor Spacer B	DX0702B00000	1.0mm Thick
24	Pulse Motor Spacer C	DX0702C00000	2.0mm Thick
25	Pulse (Stepping) Motor	CX6408000000	
26	N-Coupling	BPN150150000	
27	Pulse Motor Base	DXG701010000	
28	Pulse (Stepping) Motor	DX6401010000	
29			
30			
31			
32			
33			
34			
35			
36			
37			
38			
39			
40			
41			
42			
43			
44			
45			
46			
47			

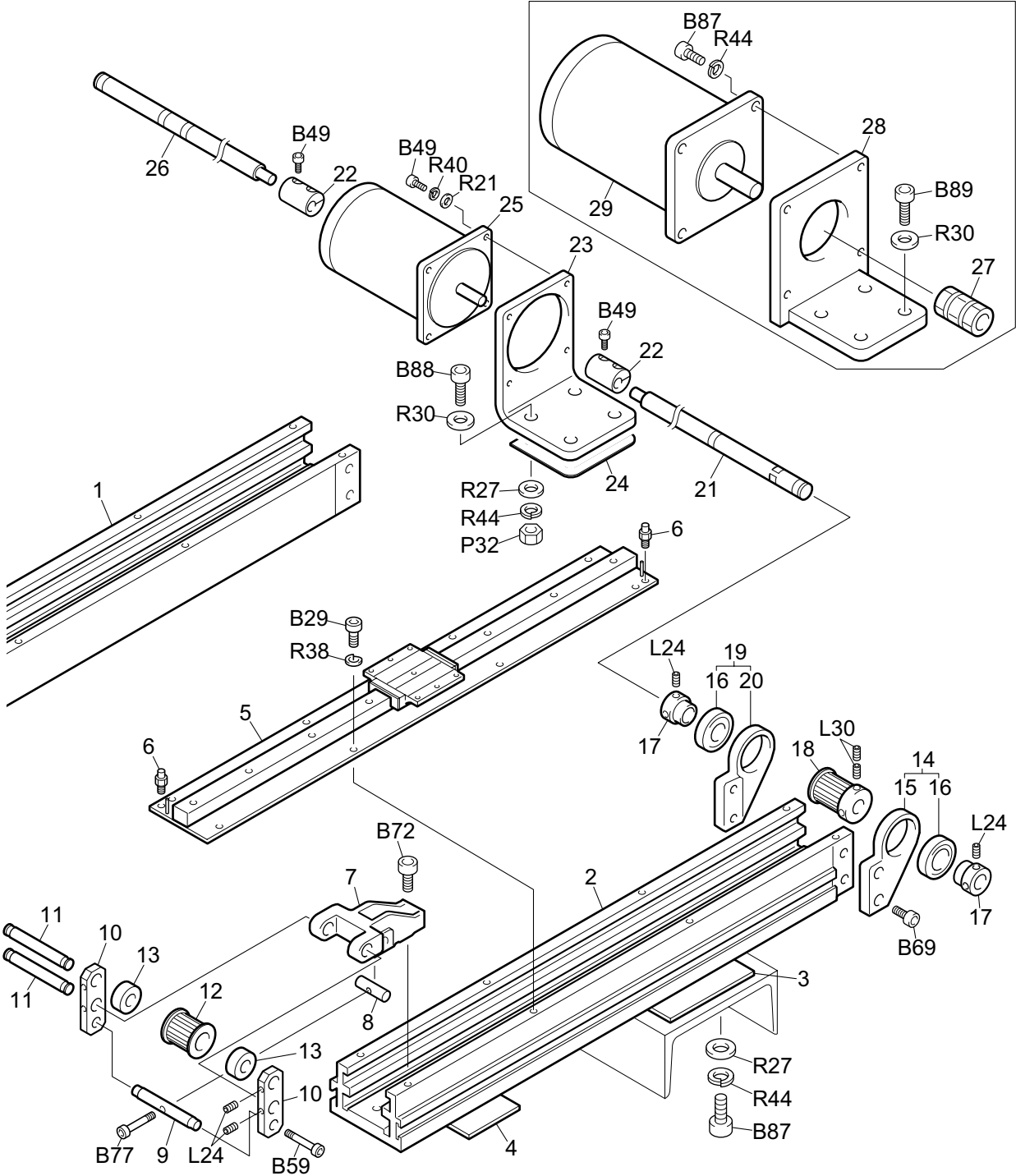


TMFXIII Y-AXIS DRIVE SYSTEM 1

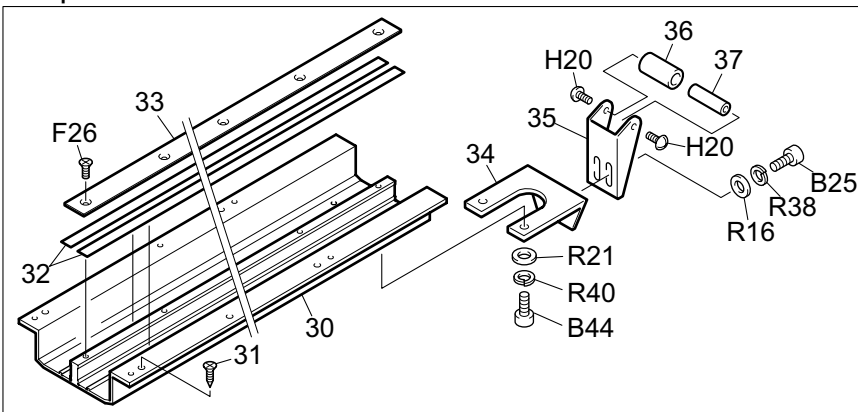
DX-11-1

Ref.No.	Description	Part No.	Remark
1	Y-axis Feed Plate Set	UN110170DX00	
1	Y-axis Feed Plate A Set	UN110170MXA0	X-Space 500mm
2	Y-axis Feed Plate A Set	UN110170DXA0	
2	Y-axis Feed Plate B Set	UN110170MXB0	X-Space 500mm
3	Y-axis Feed Plate	DX0703000000	
3	Y-axis Feed Plate A	MX0736A00000	X-Space 500mm
4	Y-axis Feed Plate A	DX0704000000	
4	Y-axis Feed Plate B	MX0736B10000	X-Space 500mm
5	Presser Roller Base	EG0715020000	
6	Roller Base Guide Pin	EG0718000000	
7	Bearing Pin A	EG0778010000	
8	Roller Pin Spacer	EG0770000000	
9	Frame Catcher Plate	MX0313010000	
10	Bearing Pin B	EG0779010000	
11	Timing Belt	BPS5M35N****	
12	Belt Catcher Plate	MX0732000000	
13	LS Dog Base	MX0730010000	
14	Hexagon Bolt	EG0780000000	
15	Limit Switch Base B	EG0727B10000	
16	Adjusting Knob	EG0731000000	
17	Fixing Base	EG0730000000	
18	Limit Switch	PB001000SP00	
19	Actuator	MS6602000000	
20	Y-axis Feed Connecting Plate	MX073900****	
21	Connecting Plate Felt	MX0704100000	Y-space 680mm or more
22	Y-axis Feed Plate, Front	MX0738000000	
23	Y-axis Feed Front Pin	MX0742000000	
24	Guide Plate	MX0743010000	
25	Roller Attaching Bracket	MX0741000000	
26	Frame Presser Block	MX0737020000	
27			
28			
29			
30			
31			
32			
33			
34			
35			
36			
37			
38			
39			
40			
41			
42			
43			
44			
45			
46			

X-Space 500mm



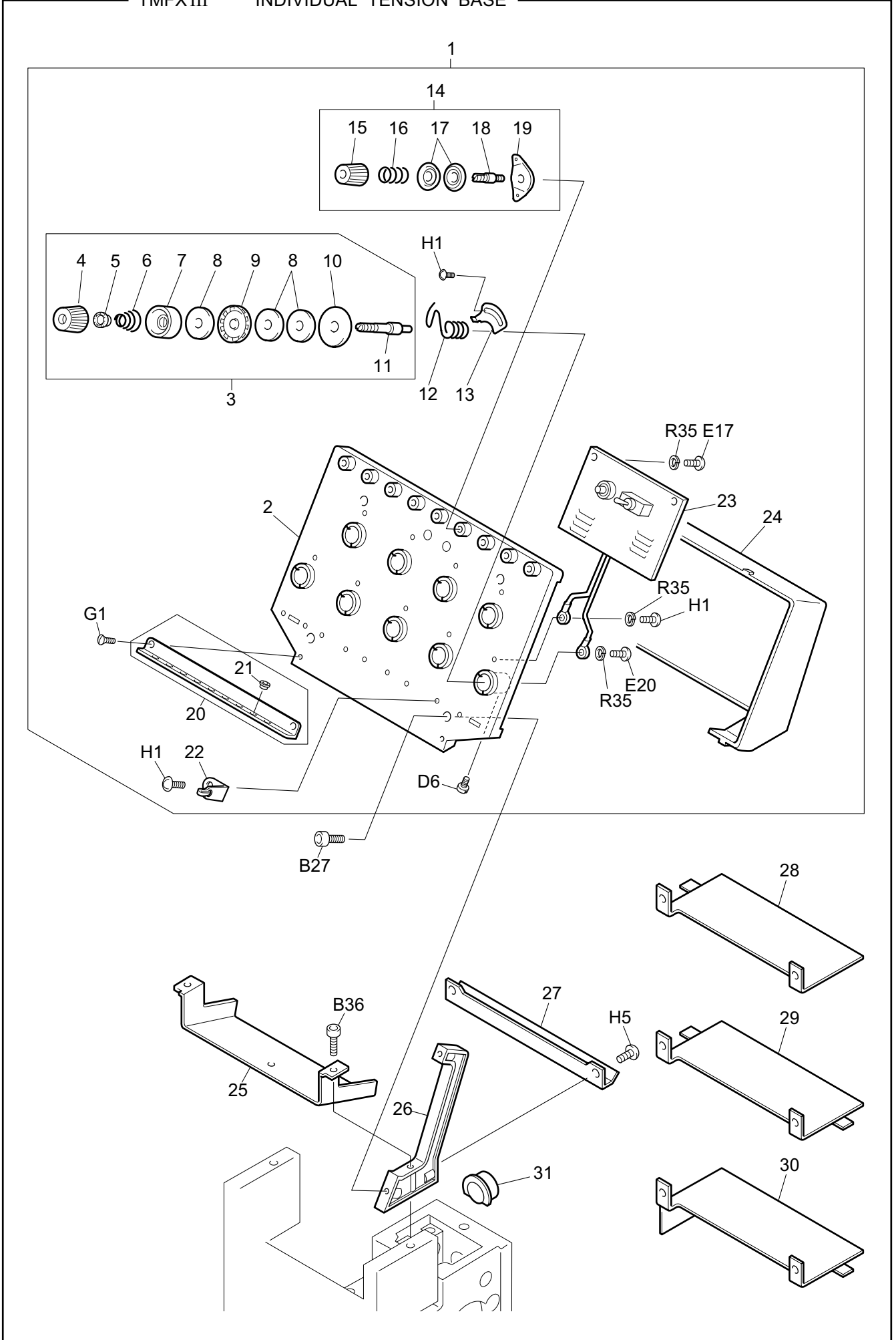
X-Space 500mm



TMFXIII Y-AXIS DRIVE SYSTEM 2

DX-11-2

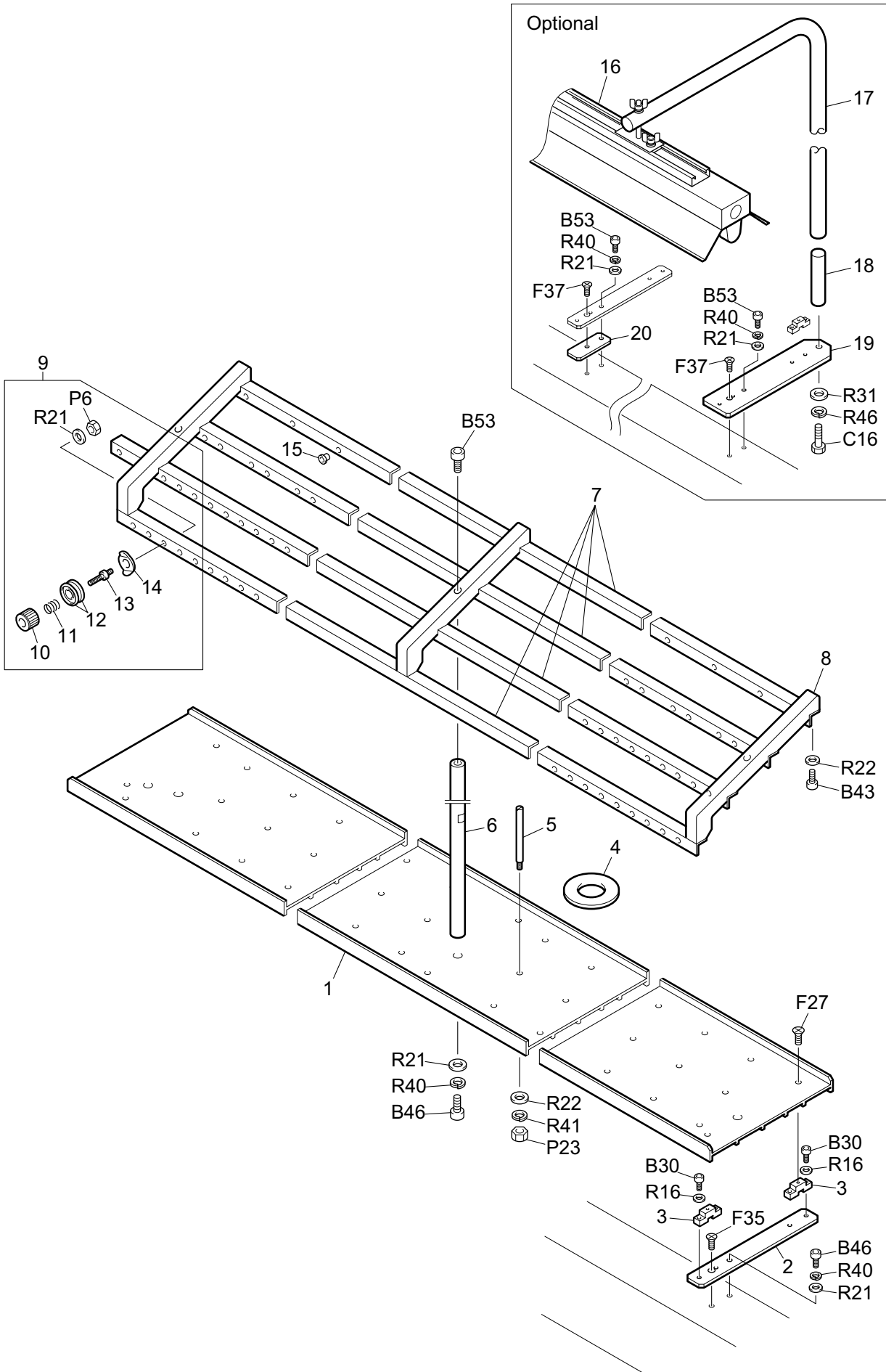
Ref.No.	Description	Part No.	Remark
1	Y-axis Driver Frame A	C40720A0****	
2	Y-axis Driver Frame B	C40720B0****	
3	Driver Cam Base Spacer	MX0832000000	
4	Driver Spacer C	EF0831000000	
5	Y-axis Drive Linear Base Set	MX074900****	
6	Stopper	MX0729000000	
7	Tension Base Holder	MX0734000000	
8	Driver Tension Shaft	MX0728000000	
9	Tension Shaft	MX0724000000	
10	Vertical Tension Base	MX0723000000	
11	Tension Pulley Shaft	MX0725000000	
12	Tension-side Timing Pulley A Set	UN110030A000	
13	Tension Spacer	MX0726000000	
14	Bearing Case Plate L (with Bearing)	MXS733L00000	
15	Bearing Case Plate L	MX0733L00000	
16	Ball Bearing	BP6003ZZ0000	
17	15mm Dia. Bearing Collar	EG0227000000	
18	Driver-side Timing Pulley A	MX0710A00000	
19	Bearing Case Plate R (with Bearing)	MXS733R00000	
20	Bearing Case Plate R	MX0733R00000	
21	Y15 Shaft A	DX0809A0****	
22	Split Joint	CX0784000000	
23	Pulse Motor Base	DX0701000000	
24	Pulse Motor Spacer A	DX0702A00000	0.5mm Thick
24	Pulse Motor Spacer B	DX0702B00000	1.0mm Thick
24	Pulse Motor Spacer C	DX0702C00000	2.0mm Thick
25	Pulse (Stepping) Motor	CX6404010000	
26	Y15 Shaft B	DX0809B0****	
27	N-Coupling	BPN150150000	
28	Pulse Motor Base	DXG701010000	
29	Pulse (Stepping) Motor	DX6402010000	
30	Front Rail Holder	MX074001****	
31	Countersunk Head Wood Screw	ZZ110420SD00	4.1P*20
32	Front Rail Plate	MX074010****	
33	Y-axis Feed Rail Plate	MX074400****	
34	Bearing Case Base A	EF0721A10000	
35	Bearing Case A	MX0745000000	
36	Roller	EF0722000000	
37	Roller Pin	EF0723010000	
38			
39			
40			
41			
42			
43			
44			
45			
46			
47			
48			



TMFXIII INDIVIDUAL TENSION BASE

DX-12

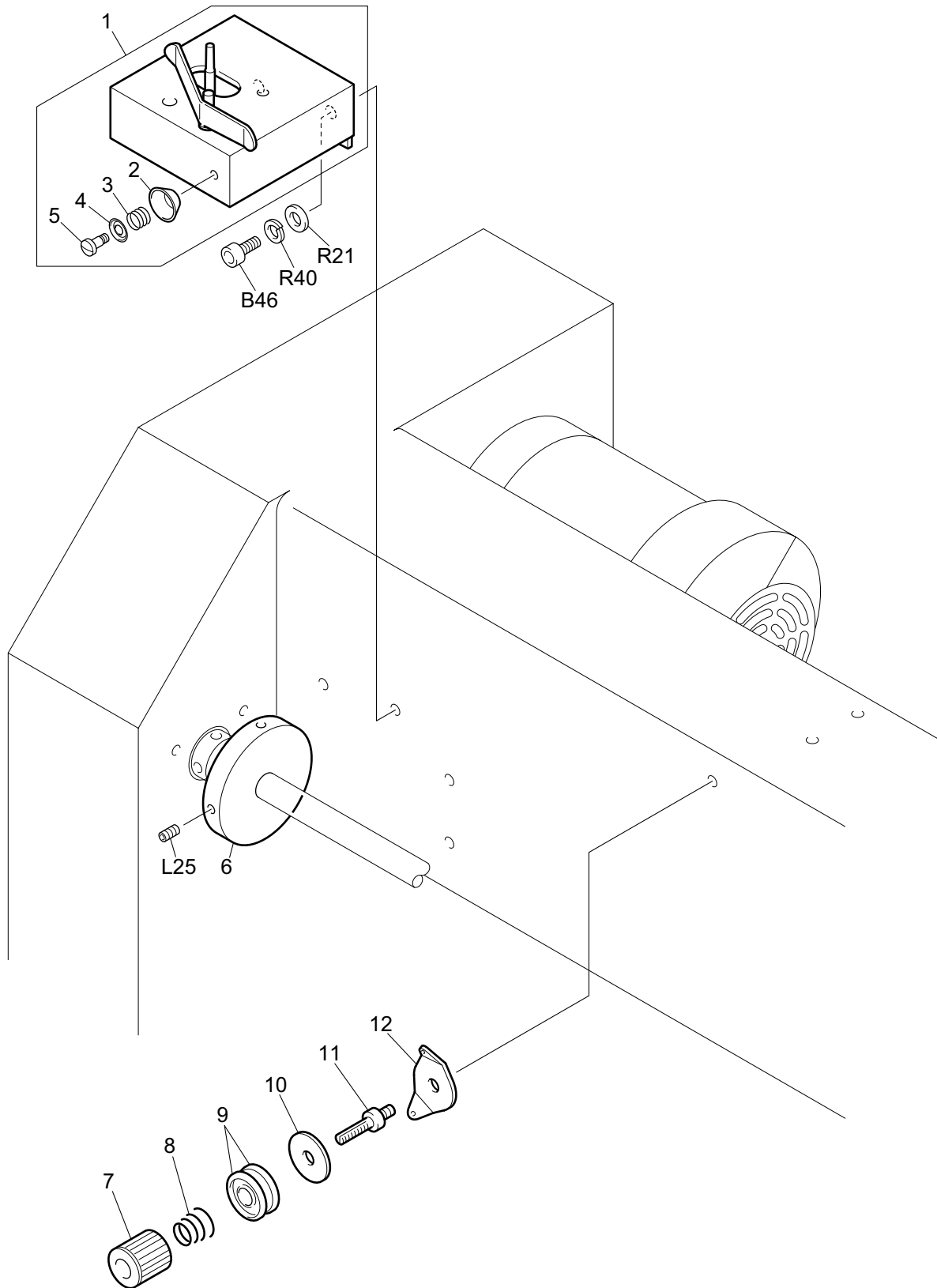
Ref.No.	Description	Part No.	Remark
1	Individual Tension Base Set	UN230024****	
2	Individual Tension Base	FX09010B####	
3	Tension Base Tension Set	UN2305000001	
4	Adjusting Screw	EF09090A0000	
5	Spring Hook	EF0910000000	
6	Tension Spring	EF0908000000	
7	Tension Collar	EF09060A0000	
8	Felt Packing	EF0904000000	
9	Rotary Tension Disk	EF0905010000	
10	Insulation Plate	EF0903000000	
11	Tension Stud	LG0923000000	
12	Thread Take-up Spring	EF0907040000	
13	Thread Breakage Detecting Contact Point	LG0916000000	
14	First Tension Set	UN150500A001	
15	First Tension Thread Spring Screw	LG09220A0000	
16	First Tension Spring B	LG0960000000	
17	First Tension Disk	LG0920010000	
18	First Tension Stud	LG0918010000	
19	First Tension Thread Course	LG0919010000	
20	Tension Base Lower Thread Guide	CX090101####	
21	Thread Guide	MX0521000000	
22	Tension Base Middle Thread Guide	LG0917020000	
23	Tension Base Card (PC Board)	MX7202010000	
24	Tension Base Cover	CL090200####	First Head Only
24	Tension Base Cover	FX09030A####	
25	Cord Protective Cover	FX09100B####	Except 1st Head
26	Tension Base Support	EC0905000000	
27	Base Joint	CX06010A####	
28	Tension Base Cord Cover A	CX0682A0####	
29	Tension Base Cord Cover B	CX0682B0####	
30	Tension Base Cord Cover C	CX0682C0####	
31	Harness Guard Bushing	MX0833010000	
32			
33			
34			
35			
36			
37			
38			
39			
40			
41			
42			
43			
44			
45			
46			
47			
48			
49			



TMFXIII THREAD STAND

DX-13

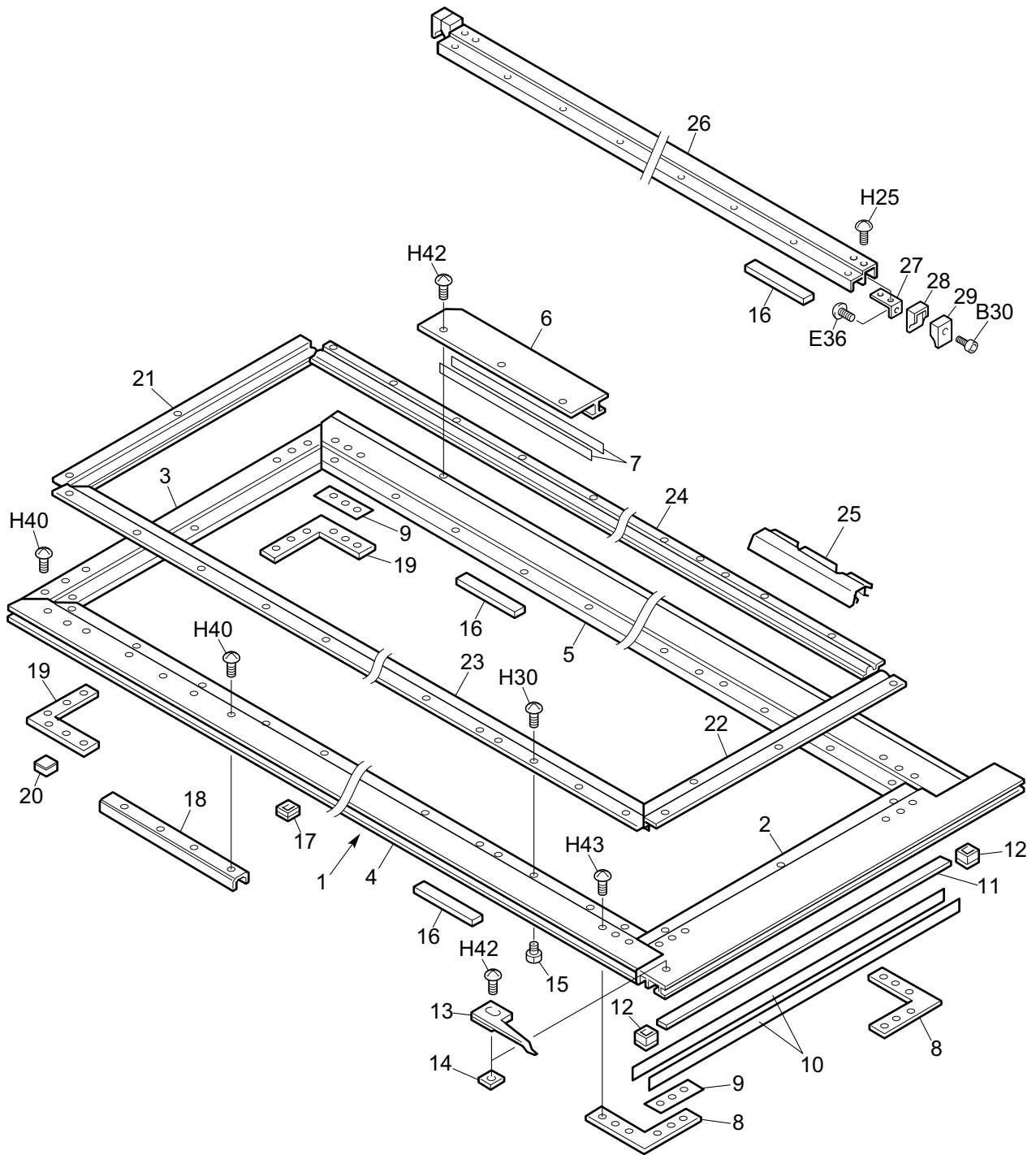
Ref.No.	Description	Part No.	Remark
1	Thread Stand Plate	CX08M801****	
2	Thread Stand Plate Stay A	CX08H8010000	240mm wide Thread Stand Plate
2	Thread Stand Plate Stay C	CX08J7010000	160mm wide Thread Stand Plate
3	Thread Stand Cushion	CX08H7000000	
4	Thread Stand Felt	EF0940000000	
5	Thread Stand Stud	EF0939010000	
6	Thread Stand Shaft B	EF0937B10000	
7	Thread Course	CX08G601****	
8	Thread Course Stay A	CX08C8A10000	12-Needle
8	Thread Course Stay B	CX08C8B10000	
9	No.1 Tension Set	UN150500B001	
10	No.1 Thread Tension Spring Screw	LG09220A0000	
11	No.1 Tension Spring B	LG0960000000	
12	No.1 Tension Disk	LG0920010000	
13	No.1 Tension Stud	EC0D30000000	
14	No.1 Tension Thread Course	LG0919010000	
15	Thread Guide A	EF0942A00000	White
15	Thread Guide B	EF0942B00000	Red
16	Fluorescent Lamp	CX7401A00000	
17	Fluorescent Lamp Stand Pipe	CX7402000000	
18	Fluorescent Lamp Pipe Support	EF0813000000	
19	Fluorescent Lamp Thread Stand Plate Stay	CX08N001****	
20	Thread Stand Plate Spacer	CX08N1A10000	
21			
22			
23			
24			
25			
26			
27			
28			
29			
30			
31			
32			
33			
34			
35			
36			
37			
38			
39			
40			
41			
42			
43			
44			
45			
46			
47			



TMFXIII UNDER THREAD WINDER

DX-14

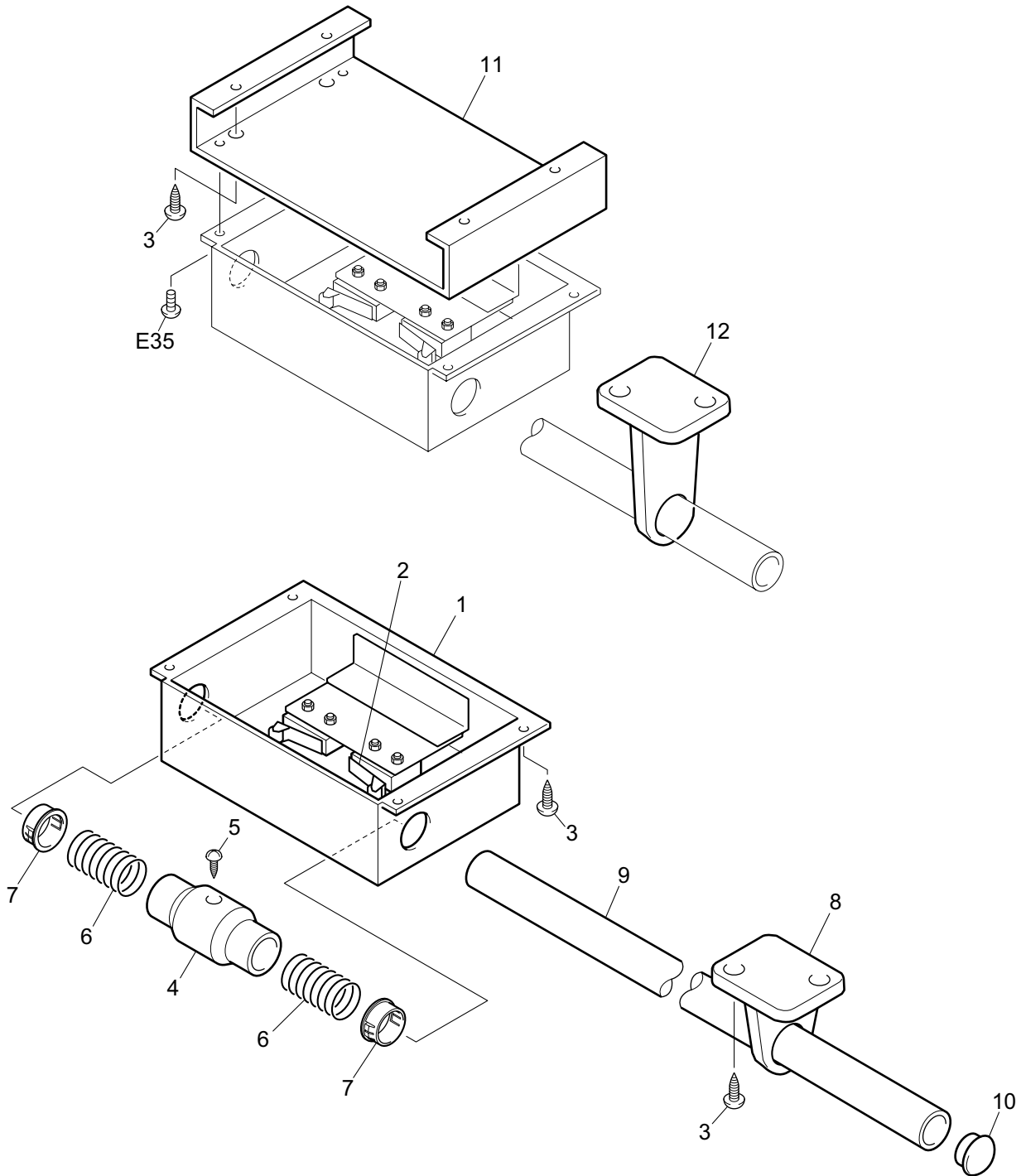
Ref.No.	Description	Part No.	Remark
1	Under Thread Winder Base Set	CX1116S10000	
2	Thread Suspender Disk	EF0637000000	
3	Thread Suspender Spring	EF0639000000	
4	Thread Suspender Spring Presser	EF0638000000	
5	Thread Suspender Attaching Screw	AT2311000000	
6	Bobbin Winder Pulley	CX1102010000	
7	Adjusting Screw	EF09090A0000	
8	Lower Thread Winding Coil Spring	CX1103000000	
9	Thread Course Tension Disk	EF0913000000	
10	Felt Packing	EF0904000000	
11	Thread Course Tension Stud	EF0914000000	
12	Thread Course Thread Guide	EF0912000000	
13			
14			
15			
16			
17			
18			
19			
20			
21			
22			
23			
24			
25			
26			
27			
28			
29			
30			
31			
32			
33			
34			
35			
36			
37			
38			
39			
40			
41			
42			
43			
44			
45			
46			
47			
48			
49			
50			



TMFXIII EMBROIDERY FRAME

DX-15

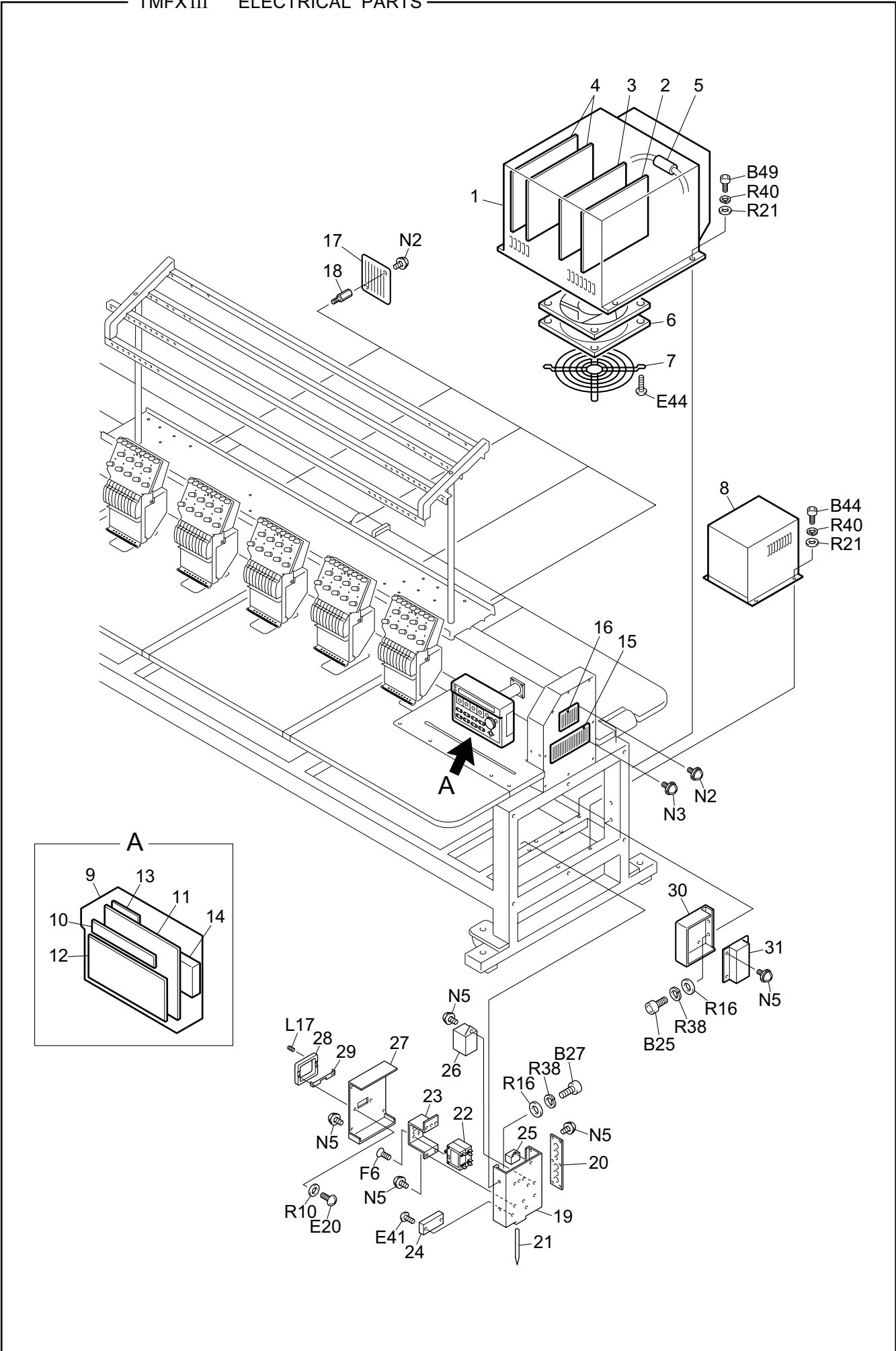
Ref.No.	Description	Part No.	Remark
1	Base Frame Sash Set	DX0301S0****	
2	Right Side Y-axis Frame Sash	MX030100****	
3	Left Side Y-axis Frame Sash	MX030200****	
4	Front Sash	DX030100****	
5	Rear Sash	MX030400****	
6	Rear Frame Sash Rail	MX030500****	
7	Rail Plate, Crosswise	MX031100****	
8	Right Corner C	MX0306000000	
9	Corner Liner	MX0314000000	
10	Rail Plate, Lengthwise	MX031000****	
11	Right Side Y-axis Sash Felt	MX0309010000	
12	No.5 Cork Set	MX0315020000	
13	Embroidery Space Indicator	MX0312000000	
14	Embroidery Space Indicator Plate Nut	SF0314000000	
15	Screw Ring	EF0303000000	
16	No.4 Felt	EG0317000000	
17	No.1 Cork Set	EG0321020000	
18	Frame Rail	EN030200****	
19	Left Corner C	MX0307000000	
20	No.3 Cork Set	EG0325010000	
21	Border Frame Lengthwise Sash L	EF0305L1****	
22	Border Frame Lengthwise Sash R	EF0305R1****	
23	Border Frame Crosswise Sash	EG031200****	
24	Border Frame Crosswise Sash B	EG0312B0****	
25	Border Frame Clip	EG032600****	For X-axis
25	Border Frame Clip B	MX0320B0****	For Y-axis
26	Middle Sash	EG0313010000	
27	Inner Frame Attachment C	EF0311000000	
28	Inner Frame Attachment A	EF0309000000	
29	Inner Frame Attachment B	EF0310000000	
30			
31			
32			
33			
34			
35			
36			
37			
38			
39			
40			
41			
42			
43			
44			
45			
46			
47			
48			
49			



TMFXIII BAR SWITCH BOX

DX-16

Ref.No.	Description	Part No.	Remark
1	Bar Switch Box	MS5800A00000	
2	Limit Switch	PB000100SP00	
3	Round Head Wood Screw	ZZ410420CC00	4.5P*20
4	LS Dog	EF1104000000	
5	Truss Head Tapping Screw	ZZ410416CC00	4P*16
6	Return Spring	EF1106000000	
7	Bushing	EF1107000000	
8	Bar Switch Support	EF11080A****	
9	Switch Bar	EF1109000000	
10	Side Cover Lid	EF1109200000	
11	Bar Switch Box Attaching Plate	TC01060A0000	For Table Cut
12	Bar Switch Support	TC01040A0000	For Table Cut
13			
14			
15			
16			
17			
18			
19			
20			
21			
22			
23			
24			
25			
26			
27			
28			
29			
30			
31			
32			
33			
34			
35			
36			
37			
38			
39			
40			
41			
42			
43			
44			
45			
46			
47			
48			
49			
50			



TMFXIII ELECTRICAL PARTS

DX-17

Ref.No.	Description	Part No.	Remark
1	Power Supply Driver Box	CX5600A40000	
2	Power Supply Card	CX5601040000	
3	Main Shaft Driver	CX5602A70000	
4	X/Y-Axis Driver	CX5609040000	
5	Clamp Filter	PB000500FM00	
6	Fan	PB000900BF00	
7	Finger Guard	PB001300BF00	
8	Separate Transformer	PA6016000000	350-440 VAC Specification M/C
8	Fluorescent Lamp Transformer Unit	PA6012000000	Fluo.Lamp except 350-440V
9	Controller	MX5100B40000	
10	FIP (Indicator Assembly)	PB001100LP00	
11	CPU Card	MX5101A50000	
12	Switch Card	MX5102000000	
13	Extension Card	MX5108000000	
14	Floppy Disk Drive	PB001000RE00	
15	Joint Card (PC Board)	MX6101000000	
16	Color Change Card	MX7101A70000	
17	Head Card	MX6104000000	
18	Card Stud	CX0853010000	
19	Breaker Bracket	CX08J1010000	
20	Breaker Panel	CX08J1410000	
21	Grounding Bar	PB000500WA00	
22	Circuit Protector	PB002700KA00	1-Phase Spec. M/C
22	Circuit Protector	PB002800KA00	3-Phase Spec. M/C
23	Breaker Stand	CX08J1210000	1-Phase Spec. M/C
23	Breaker Stand	CX08J1310000	3-Phase Spec. M/C
24	Terminal Base	PB000900TB00	
25	Surge Protector	PB001300RS00	1-Phase Spec. M/C
25	Surge Protector	PB001400RS00	3-Phase Spec. M/C
26	Noise Filter	PB000800FM00	1-Phase Spec. M/C
27	Breaker Cover	CX08J1110000	
28	Switch Guard	CX08J1510000	
29	Breaker Lock	CX08J1800000	1-Phase Spec. M/C
29	Breaker Lock	CX08J1700000	3-Phase Spec. M/C
30	Noise Filter Setting Plate	CX08J1610000	3-Phase Spec. M/C
31	Noise Filter	PB000700FM00	3-Phase Spec. M/C
32			
33			
34			
35			
36			
37			
38			
39			
40			
41			
42			
43			
44			
45			

No.	Part No.	Remark	No.	Part No.	Remark
A	Flat Fillister Head Screw		B17	SS6203180TN0	M3*18
A1	SM15015430CN	1/8*44*3	B18	SS6203200TD0	M3*20
A2	SM15015450CN	1/8*44*5	B19	SS6203200TN0	M3*20
A3	SM15015455CN	1/8*44*5.5	B20	SS6203250TN0	M3*25
A4	SM15015460CN	1/8*44*6	B21	SS6204050TD0	M4*5
A5	SM16515530CN	9/64*40*3	B22	SS6204050TN0	M4*5
A6	SM14020540CN	9/64*40*4	B23	SS6204060TN0	M4*6
A7	SM16516540SA	9/64*40*4	B24	SS6204080TD0	M4*8
A8	SM17010540CN	9/64*40*4	B25	SS6204080TN0	M4*8
A9	SM1E515550CN	9/64*40*5	B26	SS6204100TD0	M4*10
A10	SM14020560CN	9/64*40*6	B27	SS6204100TN0	M4*10
A11	SM15525560CN	9/64*40*6	B28	SS6204120TD0	M4*12
A12	SM15526570CN	9/64*40*7	B29	SS6204120TN0	M4*12
A13	SM15020580CN	9/64*40*8	B30	SS6204150TN0	M4*15
A14	SM15530580CN	9/64*40*8	B31	SS6204180TN0	M4*18
A15	SM16025580CN	9/64*40*8	B32	SS6204200TD0	M4*20
A16	SM150205A0CN	9/64*40*10	B33	SS6204200TN0	M4*20
A17	SM150205C0CN	9/64*40*12	B34	SS6204250TN0	M4*25
A18	SM150205F0CN	9/64*40*15	B35	SS6204250TN1	M4*25
A19	SM15422643TN	11/64*40*4.3	B36	SS6204300TN0	M4*30
A20	SM17017670CN	11/64*40*7	B37	SS6204350TN0	M4*35
A21	SM1C035675CN	11/64*40*7.5	B38	SS6204400TN0	M4*40
A22	SM10825690SH	11/64*40*9	B39	SS6204450TN0	M4*45
A23	SM146266B5CN	11/64*40*11.5	B40	SS6205060TN0	M5*6
A24	SM172316C0CN	11/64*40*12	B41	SS6205080TD0	M5*8
A25	SS6003080SC0	M3*8	B42	SS6205080TN0	M5*8
A26	SS6003080SD0	M3*8	B43	SS6205100TD0	M5*10
A27	SS6003100CC0	M3*10	B44	SS6205100TN0	M5*10
A28	SS6004100SC0	M4*10	B45	SS6205100TP0	M5*10
			B46	SS6205120TN0	M5*12
			B47	SS6205140TN0	M5*14
			B48	SS6205150TD0	M5*15
			B49	SS6205150TN0	M5*15
B	Hexagon Socket Head Cap Screw		B50	SS6205160TN0	M5*16
B1	SS6202080TD0	M2*8	B51	SS6205180TN0	M5*18
B2	SS6202100TD0	M2*10	B52	SS6205200TD0	M5*20
B3	SS6276050TN0	M2.6*5	B53	SS6205200TN0	M5*20
B4	SS6203030TN0	M3*3	B54	SS6205220TN0	M5*22
B5	SS6203040TN0	M3*4	B55	SS6205230TN0	M5*23
B6	SS6203050TN0	M3*5	B56	SS6205250TN0	M5*25
B7	SS6203060TD0	M3*6	B57	SS6205300TN0	M5*30
B8	SS6203060TN0	M3*6	B58	SS6205350TN0	M5*35
B9	SS6203080TD0	M3*8	B59	SS6205350TN1	M5*35
B10	SS6203080TN0	M3*8	B60	SS6205500TN0	M5*50
B11	SS6203100TD0	M3*10	B61	SS6205500TN1	M5*50
B12	SS6203100TN0	M3*10	B62	SS6205550TN0	M5*55
B13	SS6203120TN0	M3*12	B63	SS6205600TN0	M5*60
B14	SS6203150TD0	M3*15	B64	SS6205600TN1	M5*60
B15	SS6203150TN0	M3*15	B65	SS6206080TN0	M6*8
B16	SS6203160TN0	M3*16	B66	SS6206090TN0	M6*9

B.C.D.E

No.	Part No.	Remark	No.	Part No.	Remark
B	Hexagon Socket Head Cap Screw		C8	SS9306450SD0	M6*45
B67	SS6206100TN0	M6*10	C9	SS9306500SC0	M6*50
B68	SS6206120TN0	M6*12	C10	SS9306500SD0	M6*50
B69	SS6206150TN0	M6*15	C11	SS9306550SD0	M6*55
B70	SS6206180TN0	M6*18	C12	SS9306650SD0	M6*65
B71	SS6206200TN0	M6*20	C13	SS9306750SC0	M6*75
B72	SS6206250TN0	M6*25	C14	SS9308150TN0	M8*15
B73	SS6206300TN0	M6*30	C15	SS9308180TN0	M8*18
B74	SS6206350TN0	M6*35	C16	SS9310300TN0	M10*30
B75	SS6206400TN0	M6*40	C17	SS9310350SC0	M10*35
B76	SS6206450TN0	M6*45	C18	SS9310350TN0	M10*35
B77	SS6206450TN1	M6*45	C19	SS9310400SC1	M10*40
B78	SS6206500TN1	M6*50	C20	SS9312500TN0	M12*50
B79	SS6206650TN0	M6*65			
B80	SS6506750TN1	M6*75			
B81	SS6206800TN1	M6*80			
B82	SS6206A00TN0	M6*100			
B83	SS6208120TN0	M8*12			
B84	SS6208150TN0	M8*15	D	Round Fillister Head Screw	
B85	SS6208150TP0	M8*15	D1	SM66514540CL	9/64*40*4
B86	SS6208200TN0	M8*20	D2	SM66015550CL	9/64*40*5
B87	SS6208250TN0	M8*25	D3	SM66015550CN	9/64*40*5
B88	SS6208300TN0	M8*30	D4	SM67018550CN	9/64*40*5
B89	SS6208350TN0	M8*35	D5	SM67020550CN	9/64*40*5
B90	SS6208400TN0	M8*40	D6	SM66015560CL	9/64*40*6
B91	SS6208400TN1	M8*40	D7	SM66015560CN	9/64*40*6
B92	SS6208450TN0	M8*45	D8	SM67020560CL	9/64*40*6
B93	SS6208450TN1	M8*45	D9	SM67020560CN	9/64*40*6
B94	SS6208500TN0	M8*50	D10	SM65817568CN	9/64*40*6.8
B95	SS6208600TN0	M8*60	D11	SM67020580CN	9/64*40*8
B96	SS6208700TN0	M8*70	D12	SM660255A0CN	9/64*40*10
B97	SS6210250TN0	M10*25	D13	SM670205C0CN	9/64*40*12
B98	SS6210300TN0	M10*30	D14	SM67015660CN	11/64*40*6
B99	SS6210350TN0	M10*35	D15	SM67530665CN	11/64*40*6.5
B100	SS6210400TN0	M10*40	D16	SM675306A5CN	11/64*40*10.5
B101	SS6212300TN0	M12*30	D17	SM675306C0CN	11/64*40*12
B102	SS6212350TN0	M12*35	D18	SM675256F0CN	11/64*40*15
			D19	SM69065CQ5CN	9/32*28*24.5
			D20	SS7003050SD0	M3*5
C	Hexagon Bolt				
C1	SS9303060SD0	M3*6			
C2	SS9304080SD0	M4*8	E	Pan Head Screw	
C3	SS9305100SD0	M5*10	E1	SS4164014MZ0	M1.4*1.4
C4	SS9305150SC0	M5*15	E2	SS4102030MZ0	M2*3
C5	SS9305150SD0	M5*15	E3	SS4102040MZ0	M2*4
C6	SS9305200SD0	M5*20	E4	SS4102080MZ0	M2*8
C7	SS9306150SC0	M6*15	E5	SS4175030MZ0	M2.5*3

No.	Part No.	Remark	No.	Part No.	Remark
E	Pan Head Screw		E55	SS4105450SD1	M5*45
E6	SS4175040MZ0	M2.5*4	E56	SS4105500SD1	M5*50
E7	SS4175050MZ0	M2.5*5	E57	SS4105600SD1	M5*60
E8	SS4175080MZ0	M2.5*8			
E9	SS4175130MZ0	M2.5*13			
E10	SS4175130SD0	M2.5*13			
E11	SS4103030MZ0	M3*3			
E12	SS4103030SD0	M3*3			
E13	SS4103040CD0	M3*4	F	Countersunk Head Screw	
E14	SS4103040MZ0	M3*4	F1	SMA55005A0CN	9/64*40*10
E15	SS4103040SD0	M3*4	F2	SMB7000680CN	11/64*40*8
E16	SS4103050MZ0	M3*5	F3	SS1102060SD0	M2*6
E17	SS4103050SD0	M3*5	F4	SS1103040MZ0	M3*4
E18	SS4103060MZ0	M3*6	F5	SS1103040SD0	M3*4
E19	SS4103060SA0	M3*6	F6	SS1103050SD0	M3*5
E20	SS4103060SD0	M3*6	F7	SS1003060SD0	M3*6
E21	SS4103080MZ0	M3*8	F8	SS1103060MZ0	M3*6
E22	SS4103080SA0	M3*8	F9	SS1103060SD0	M3*6
E23	SS4103080SD0	M3*8	F10	SS1103070SD0	M3*7
E24	SS4103100SC1	M3*10	F11	SS1003080SD0	M3*8
E25	SS4103100SD0	M3*10	F12	SS1103080MZ0	M3*8
E26	SS4103110SC1	M3*11	F13	SS1103080SC0	M3*8
E27	SS4103120MZ0	M3*12	F14	SS1103080SD0	M3*8
E28	SS4103120SD0	M3*12	F15	SS1103080SN0	M3*8
E29	SS4103140SA0	M3*14	F16	SS1103100SD0	M3*10
E30	SS4103140SD0	M3*14	F17	SS1103120MZ0	M3*12
E31	SS4103150SD0	M3*15	F18	SS1103120SD0	M3*12
E32	SS4103160SD0	M3*16	F19	SS1103150MZ0	M3*15
E33	SS4103400SD1	M3*40	F20	SS1103160SD0	M3*16
E34	SS4103500SD1	M3*50	F21	SS1104050SD0	M4*5
E35	SS4104040SD0	M4*4	F22	SS1104060SD0	M4*6
E36	SS4104050SD0	M4*5	F23	SS1104080MZ0	M4*8
E37	SS4104060MZ0	M4*6	F24	SS1104080SD0	M4*8
E38	SS4104060SD0	M4*6	F25	SS1104100MZ0	M4*10
E39	SS4104080SD0	M4*8	F26	SS1104100SD0	M4*10
E40	SS4104100SD0	M4*10	F27	SS1104120SD0	M4*12
E41	SS4104120SD0	M4*12	F28	SS1104140SD0	M4*14
E42	SS4104150SD0	M4*15	F29	SS1104150SD0	M4*15
E43	SS4104180SD0	M4*18	F30	SS1104200SD0	M4*20
E44	SS4104300SD0	M4*30	F31	SS1104220SD0	M4*22
E45	SS4104500SD0	M4*50	F32	SS1104250SD0	M4*25
E46	SS4104600SD1	M4*60	F33	SS1105060SD0	M5*6
E47	SS4105060SD0	M5*6	F34	SS1105080SD0	M5*8
E48	SS4105070SD0	M5*7	F35	SS1105100SD0	M5*10
E49	SS4105080SD0	M5*8	F36	SS1105120SD0	M5*12
E50	SS4105100MZ0	M5*10	F37	SS1105150SD0	M5*15
E51	SS4105100SD0	M5*10	F38	SS1105300SD0	M5*30
E52	SS4105120SD0	M5*12	F39	SS1105350SD0	M5*35
E53	SS4105300SD1	M5*12	F40	SS1106150SC0	M6*15
E54	SS4105150SD0	M5*15	F41	SS1106150SD0	M6*15

F.G.H.J.K

No.	Part No.	Remark	No.	Part No.	Remark
F	Countersunk Head Screw		H27	SS0104060SD0	M4*6
F42	SS1106350SD0	M6*35	H28	SS0104080MZ0	M4*8
F43	SS1108120SD0	M8*12	H29	SS0104080SD0	M4*8
F44	SS1108700TN0	M8*70	H30	SS0104080SD2	M4*8
			H31	SS0104100MZ0	M4*10
			H32	SS0104100SD0	M4*10
			H33	SS0104120SD0	M4*12
			H34	SS0104150SD0	M4*15
			H35	SS0104200SD0	M4*20
G	Round Countersunk Head Screw		H36	SS0105050SD0	M5*5
G1	SMC5000460CL	1/8*44*6	H37	SS0105060SD0	M5*6
G2	SMC5000530CL	9/64*40*3	H38	SS0105065SD0	M5*6.5
G3	SMC5000535CL	9/64*40*3.5	H39	SS0105070SD0	M5*7
G4	SMC5000540CL	9/64*40*4	H40	SS0105080SD0	M5*8
G5	SMC5000560CL	9/64*40*6	H41	SS0105100CB0	M5*10
G6	SMC5000570CL	9/64*40*7	H42	SS0105100SD0	M5*10
G7	SMC5000595CL	9/64*40*9.5	H43	SS0105120SD0	M5*12
G8	SMC50005C0CL	9/64*40*12	H44	SS0105150SD0	M5*15
			H45	SS0105200SD0	M5*20
			H46	SS0105250SD0	M5*25
			H47	SS0105350SD0	M5*35
			H48	SS0106080SD0	M6*8
			H49	SS0106100SD0	M6*10
H	Truss Head Screw		H50	SS0106220SD0	M6*22
H1	SMF6016470CL	1/8*44*7	H51	SS0106250SD0	M6*25
H2	SMF8020530CL	9/64*40*3.5	H52	SS0106350SD0	M6*35
H3	SMF8020540CL	9/64*40*4	H53	SS0106400SD0	M6*40
H4	SME9510540CM	9/64*40*4			
H5	SMF8020560CL	9/64*40*6			
H6	SMF8020580CL	9/64*40*8			
H7	SS0175030MZ0	M2.5*3			
H8	SS0175030SD0	M2.5*3			
H9	SS0175040MZ0	M2.5*4	J	Round Head Screw	
H10	SS0175040SA0	M2.5*4	J1	SS3102030MZ0	M2*3
H11	SS0175040SD0	M2.5*4	J2	SS3103080SD0	M3*8
H12	SS0103030MZ0	M3*3	J3	SS3103080SE0	M3*8
H13	SS0103030SD0	M3*3	J4	SS3103100MZ0	M3*10
H14	SS0103040SD0	M3*4			
H15	SS0103050MZ0	M3*5			
H16	SS0103050SD0	M3*5			
H17	SS0103060MZ0	M3*6			
H18	SS0103060SD0	M3*6			
H19	SS0103060SA0	M3*6	K	Slotted Set Screw	
H20	SS0103080SD0	M3*8	K1	SMK0000435CN	1/8*44*3.5
H21	SS0103080SA0	M3*8	K2	SMK0000560CN	9/64*40*6
H22	SS0103100MZ0	M3*10	K3	SMK0000625CN	11/64*40*2.5
H23	SS0103100SD0	M3*10	K4	SMK0000635CN	11/64*40*3.5
H24	SS0103200SD0	M3*20	K5	SMK0000640CN	11/64*40*4
H25	SS0104050SD0	M4*5	K6	SMK0000650CN	11/64*40*5
H26	SS0104060MZ0	M4*6	K7	SMK0000A50CN	15/64*28*5

No.	Part No.	Remark	No.	Part No.	Remark
K	Slotted Set Screw		L34	SS8206180TN0	M6*18
K8	SMK0000AA0CN	15/64*28*10	L35	SS8208080TN0	M8*8
K9	SMK0000AF0CN	15/64*28*15	L36	SS8208100TN0	M8*10
K10	SMK0000AH0CN	15/64*28*17	L37	SS8208150TN0	M8*15
K11	SMK0000B40CN	1/4*40*4			
K12	SMK0000B45CN	1/4*40*4.5			
K13	SMK0000B50CN	1/4*40*5			
K14	SMK0000B60CN	1/4*40*6			
K15	SMK0000B80CN	1/4*40*8	M	Hexagon Socket Head Button Screw	
K16	SMK0000CC0CN	9/32*28*12	M1	SS3203050SC0	M3*5
K17	SS8005060TN0	M5*6	M2	SS3204060SC0	M4*6
			M3	SS3205100SC0	M5*10
			M4	SS3205100SD0	M5*10
L	Hexagon Socket Head Set Screw				
L1	SMJ0000425CN	1/8*44*2.5			
L2	SMJ0000430CN	1/8*44*3	N	Screw with Washer	
L3	SMJ0000690CN	11/64*28*9	N1	SSA003080000	M3*8
L4	SMJ0000640CN	11/64*40*4	N2	SSA003150000	M3*15
L5	SMJ0000660CN	11/64*40*6	N3	SSA003160000	M3*16
L6	SMJ0000680CN	11/64*40*8	N4	SSA003180000	M3*18
L7	SMJ0000A40CN	15/64*28*4	N5	SSA004080000	M4*8
L8	SMJ0000A90CN	15/64*28*9	N6	SSA004100000	M4*10
L9	SS8203020TN0	M3*2	N7	SSA004550000	M4*55
L10	SS8203030TN0	M3*3	N8	SSA005100000	M5*10
L11	SS8203040TN0	M3*4	N9	SSA005120000	M5*12
L12	SS8203050TN0	M3*5	N10	SSA005140000	M5*14
L13	SS8203060TN0	M3*6	N11	SSA005180000	M5*18
L14	SS8203080TN0	M3*8			
L15	SS8204030TN0	M4*3			
L16	SS8204040TN0	M4*4			
L17	SS8204050TN0	M4*5			
L18	SS8204060TN0	M4*6			
L19	SS8204060TN1	M4*6	P	Nut	
L20	SS8204080TN0	M4*8	P1	SMN046030CN0	1/8*44*6*3
L21	SS8204100TN0	M4*10	P2	SMN056020CL0	9/64*40*6*2
L22	SS8204120TN0	M4*12	P3	SMN056030CN0	9/64*40*6*3
L23	SS8205040TN0	M5*4	P4	SMN066020CN0	11/64*40*6*2
L24	SS8205050TN0	M5*5	P5	SMN066030CN0	11/64*40*6*3
L25	SS8205060TN0	M5*6	P6	SMN067030CN0	11/64*40*7*3
L26	SS8205080TN0	M5*8	P7	SMN167030CN0	11/64*40*7*3
L27	SS8205100TN0	M5*10	P8	SSN002SD0000	M2 Type 1
L28	SS8205120TN0	M5*12	P9	SSN073SD0000	M2.3 Type 1
L29	SS8205150TN0	M5*15	P10	SSN075MZ0000	M2.5 Type 1
L30	SS8206050TN0	M6*5	P11	SSN003MZ0000	M3 Type 1
L31	SS8206060TN0	M6*6	P12	SSN003SC0000	M3 Type 1
L32	SS8206080TN0	M6*8	P13	SSN003SD0000	M3 Type 1
L33	SS8206100TN0	M6*10	P14	SSN403SD0000	M3 Thumbscrew Type 2

P.R

No.	Part No.	Remark	No.	Part No.	Remark
P	Nut		R16	WSP04A008SC0	Plain M4*10*0.8t
P15	SSN203SC0000	M3 Type 3	R17	WSP04A008SD0	Plain M4*10*0.8t
P16	SSN203SD0000	M3 Type 3	R18	WSP04C010SC0	Plain M4*12*1t
P17	SSN285SC0000	M3.5 Type 3	R19	WSP05A008SC0	Plain M5*10*0.8t
P18	SSN004SC0000	M4 Type 1	R20	WSP05A008SD0	Plain M5*10*0.8t
P19	SSN004SD0000	M4 Type 1	R21	WSP05C008SC0	Plain M5*12*0.8t
P20	SSN204SC0000	M4 Type 3	R22	WSP05C008SD0	Plain M5*12*0.8t
P21	SSN204SD0000	M4 Type 3	R23	WSP06D010SC0	Plain M6*13*1.0t
P22	SSN005SC0000	M5 Type 1	R24	WSP06D010SD0	Plain M6*13*1.0t
P23	SSN005SD0000	M5 Type 1	R25	WSP06G010SC0	Plain M6*16*1.0t
P24	SSN205SC0000	M5 Type 3	R26	WSP08G012SD0	Plain M8*16*1.2t
P25	SSN205SD0000	M5 Type 3	R27	WSP08J016SC0	Plain M8*18*1.6t
P26	SSN605SD0000	M5 Cap Screw	R28	WSP08J016SD0	Plain M8*18*1.6t
P27	SSN006SC0000	M6 Type 1	R29	WSP08J032SC0	Plain M8*18*3.2t
P28	SSN006SC1000	M6 Type 1(Left)	R30	WSP08N032SC0	Plain M8*22*3.2t
P29	SSN006SD0000	M6 Type 1	R31	WSP10S032SC0	Plain M10*26*3.2t
P30	SSN006SD1000	M6 Type 1(Left)	R32	WSP12L520SC0	Plain M12*20.5*2t
P31	SSN206SC0000	M6 Type 3	R33	WSS020000KD0	Spring M2
P32	SSN008SC0000	M8 Type 1	R34	WSS760000KC0	Spring M2.6
P33	SSN008SD0000	M8 Type 1	R35	WSS030000KC0	Spring M3
P34	SSN208SC0000	M8 Type 3	R36	WSS030000KD0	Spring M3
P35	SSN208SD0000	M8 Type 3	R37	WSS850000KC0	Spring M3.5
P36	SSN010SC0000	M10 Type 1	R38	WSS040000KC0	Spring M4
P37	SSN710CD0000	M10 with Flange	R39	WSS040000KD0	Spring M4
P38	SSN710SC0000	M10 with Flange	R40	WSS050000KC0	Spring M5
P39	SSN012SC0000	M12 Type 1	R41	WSS050000KD0	Spring M5
P40	SSN212SC0000	M12 Type 3	R42	WSS060000KC0	Spring M6
P41	SSN216SC0000	M16 Type 3	R43	WSS060000KD0	Spring M6
P42	SSN020SC0000	M20 Type 1	R44	WSS080000KC0	Spring M8
			R45	WSS080000KD0	Spring M8
			R46	WSS100000KC0	Spring M10
			R47	WSS120000KC0	Spring M12
			R48	WSW04B003TP0	Wave M4
			R49	WSW05B003TN0	Wave M5
R	Washer		R50	WSW06A503TN0	Wave M6
R1	WSP640303MZ0	Plain M1.4*3*0.3t	R51	WSL048505TP0	With teeth M4
R2	WSP023505XZ0	Plain M2*3.5*0.5t	R52	WSL05A006TP0	With teeth M5
R3	WSP767505XB0	Plain M2.6*7.5*0.5t	R53	WSN080000SC0	Slant M8
R4	WSP036003XZ0	Plain M3*6*0.3t	R54	WSC048005SC0	Disk Spring M4
R5	WSP036005SC0	Plain M3*6*0.5t			
R6	WSP037005SD0	Plain M3*7*0.5t			
R7	WSP038003SD0	Plain M3*8*0.3t			
R8	WSP038005MZ0	Plain M3*8*0.5t			
R9	WSP038005SC0	Plain M3*8*0.5t			
R10	WSP038005SD0	Plain M3*8*0.5t			
R11	WSP038100SD0	Plain M3*8*1t			
R12	WSP048005SC0	Plain M4*8*0.5t			
R13	WSP048005SD0	Plain M4*8*0.5t			
R14	WSP048008SC0	Plain M4*8*0.8t			
R15	WSP048008SD0	Plain M4*8*0.8t			

1st Edition (9801) January, 1998
1st Revision (9904) April, 1999

■ **Manufactured by:**
Tokai Industrial Sewing Machine Co., Ltd.

NO.1800, Ushiyama-cho, Kasugai, Aichi-pre., 486-0901, Japan
Telephone:568-33-1161 Fax:568-33-1191

■ **Distributed by:**
Tajima Industries Ltd.

19-22, Shirakabe, 3-chome, Higashi-ku, Nagoya, 461-0011, Japan
Telephone:52-932-3444 Fax:52-932-2457

■ **Authorized Distributor:**